

USB-485B

USB To RS-485 Adapter – DB9
Datasheet Revision 1.2

INTRODUCTION:

The SerialComm USB-485B is a bi-directional USB-powered USB to RS-485 converter in a 9 pin format. It can convert any standard full duplex USB port to any half duplex RS-485 port. In simple terms, it will convert any USB signal to a RS-485 signal and vice versa. The unit is powered from the USB port. It also supports data direction auto-turnaround. Therefore, no external power or flow control is required. The USB-485B has a USB type A female connector on the USB side and a DB9 male connector or 3-way terminal block on the RS-485 side. Separate terminal block is included in package.

The USB-485B uses FTDI chipset and is fully compatible with Windows Vista / XP / Server2003 / 2000 / 98 (32 bit).

CERTIFICATIONS:



GENERAL FEATURES:

- Adds one RS-485 port to your device using the USB port
- Plug & play (hot-pluggable, data format auto-sensing and self-adjusting)
- USB 1.1 compliant
- Supports 300 baud to 1 mbps baud rates
- Supports Windows Vista / XP / Server 2003 / 2000 / 98 (32 bit). Vista / XP / Server 2003 (64 bit), Win CE, Mac 8.6 / 9.x / 10.x and Linux
- 3 feet (1m) cable for convenience
- No IRQs, IO, DMA required. No IRQ Conflicts
- Supports remote wakeup and power management
- Easy configuration utility
- Web based driver update utility
- 5 Year Manufacturer's Warranty
- RoHS, CE, FCC, ISO 9001 and IAF Compliance Certified
- Surface Mount RoHS Compliant Technology manufactured to ISO 9001 Standards

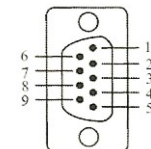
PINOUT CONFIGURATION:

RS-485 SIDE – DB9 MALE

SIGNAL	485-	485+	GND
PIN #	1	2	5



MALE DB9



SPECIFICATIONS:

PART NUMBER:	USB-485B
STANDARDS:	USB 1.1 Standard - RS-485 Standard
BAUD RATES:	From 300 Baud To 1 Mbps
POWER SOURCE:	Port Powered From USB port
CURRENT CONSUMPTION:	Less Than 100 mA
CONNECTOR TYPES:	USB Side: Type A Female and RS-485 Side: DB9 Male or 3-Way Terminal Block
DISTANCE:	USB Side: 10 ft (3m) and RS-485 Side: 4000ft (1.2km)
WEIGHT:	2.7oz (76 grams)
DIMENSIONS:	RS-485 Housing Without Terminal Block: 1.98" X 1.43" X 0.72" (50.2 mm X 36.2 mm X 18.2 mm) RS-485 Housing With Terminal Block: 3.03" X 1.43" X 0.72" (76.9 mm X 36.2 mm X 18.2 mm)
OPERATING TEMP.:	14° F to 140° F (-10°C to 60° C)
OPERATING HUMIDITY:	5% To 95% - No Condensation

TROUBLESHOOTING INSTRUCTIONS:

Perform a loop back test on a pair of USB-485B converters. Connect the USB female connector of the cable to the USB of the PC. Install the USB / RS-485 Cable Driver on PC per installation instructions provided. Attach the other RS-485 converter to a PC and using two instances of a HyperTerminal program send a character from one and see if it echoes to the other. This will test both transmit and receive functions.

APPLICATIONS:

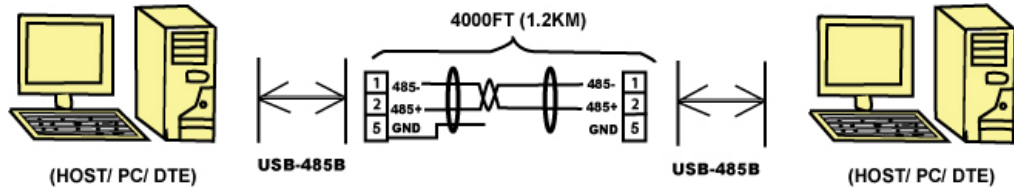


FIGURE 1: EXTENDING USB DATA DISTANCE

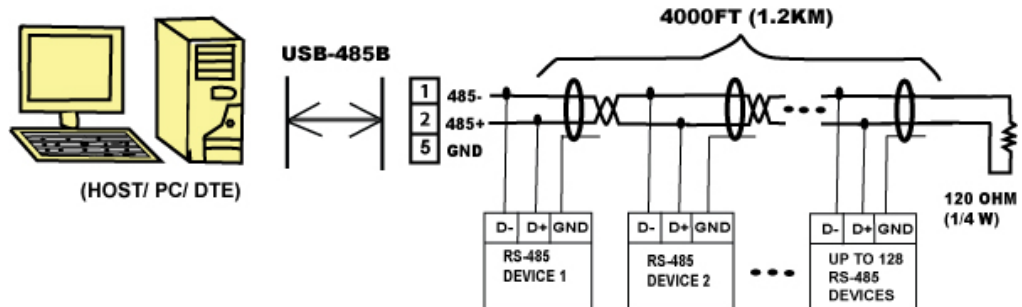


FIGURE 2: MASTER/SLAVE MULTIPLE DROP CONFIGURATION