

**Serial Comm**®  
Data Conversion Experts

MODEL: CON-485/422-EE4

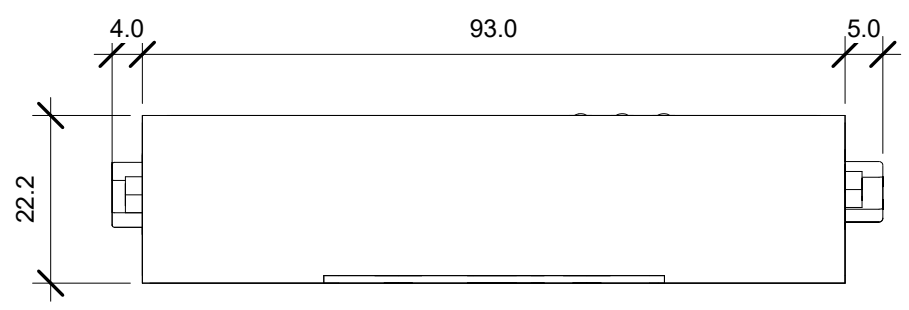
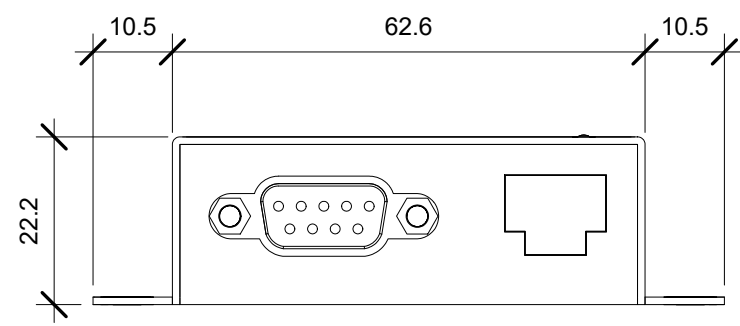
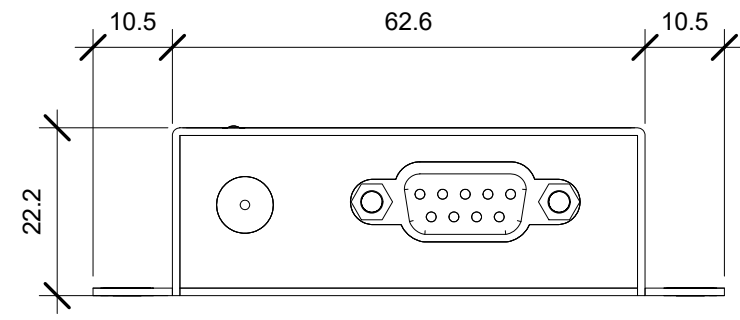
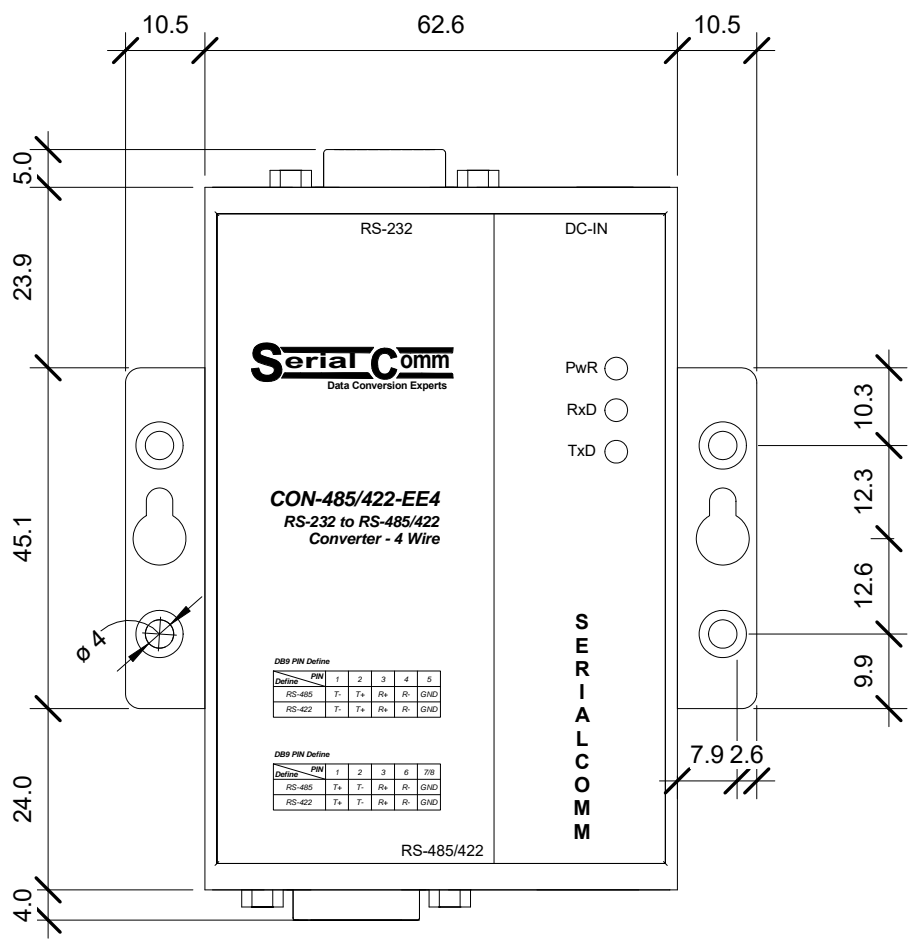
DESCRIPTION: Powered RS232 4-Wire RS485/RS422 (5-Position Terminal Block)

SCALE: 1:1

UNIT: mm

ISSUE DATE: 11/08/2016

REV. NO.: 1.00



**Serial Comm**®  
Data Conversion Experts

MODEL: CON-485/422-EE4

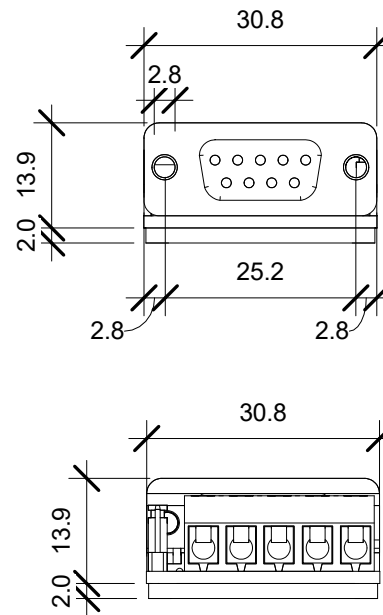
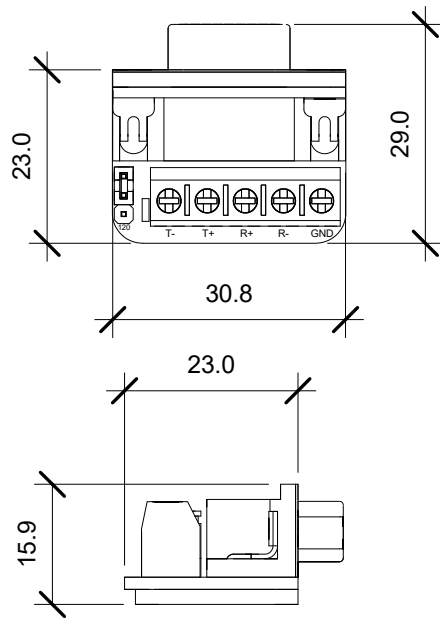
DESCRIPTION: Powered RS232 4-Wire RS485/RS422 (No Terminal Block)

SCALE: 1:1

UNIT: mm

ISSUE DATE: 11/08/2016

REV. NO.: 1.00



**Serial Comm**®  
Data Conversion Experts

MODEL: CON-485/422-EE4

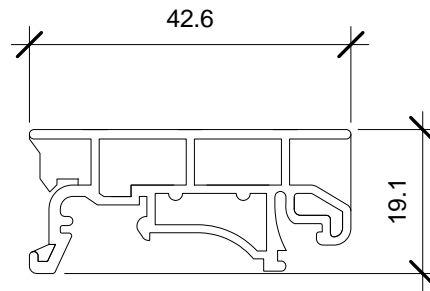
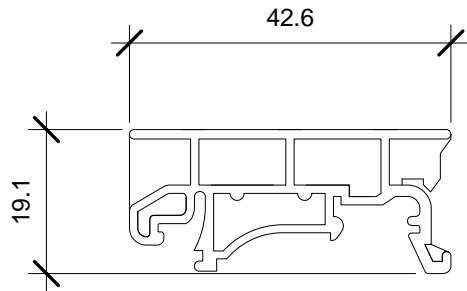
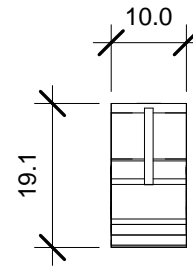
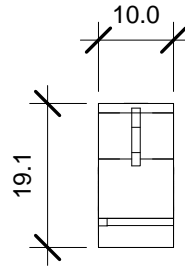
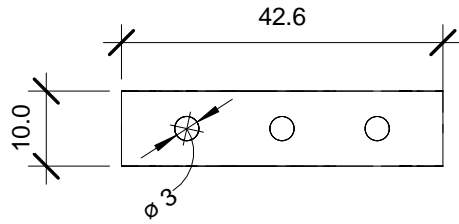
DESCRIPTION: 5-Position Terminal Block

SCALE: 1:1

UNIT: mm

ISSUE DATE: 11/08/2016

REV. NO.: 1.00



**Serial Comm**®  
Data Conversion Experts

|  |                |
|--|----------------|
| MODEL: DIN Bracket                     |                |
| DESCRIPTION: Optional DIN Rail Bracket |                |
| SCALE: 1:1                             | UNIT: mm       |
| ISSUE DATE: 11/08/2016                 | REV. NO.: 1.00 |