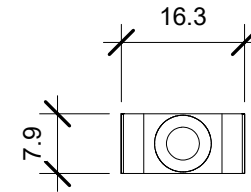
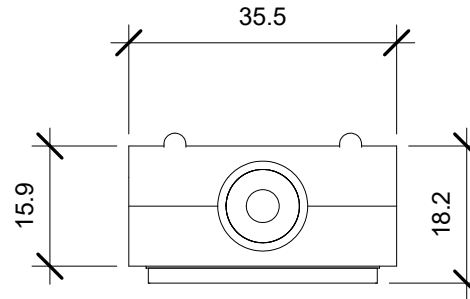
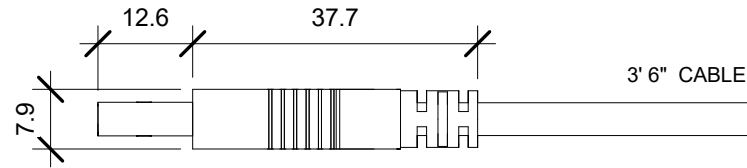
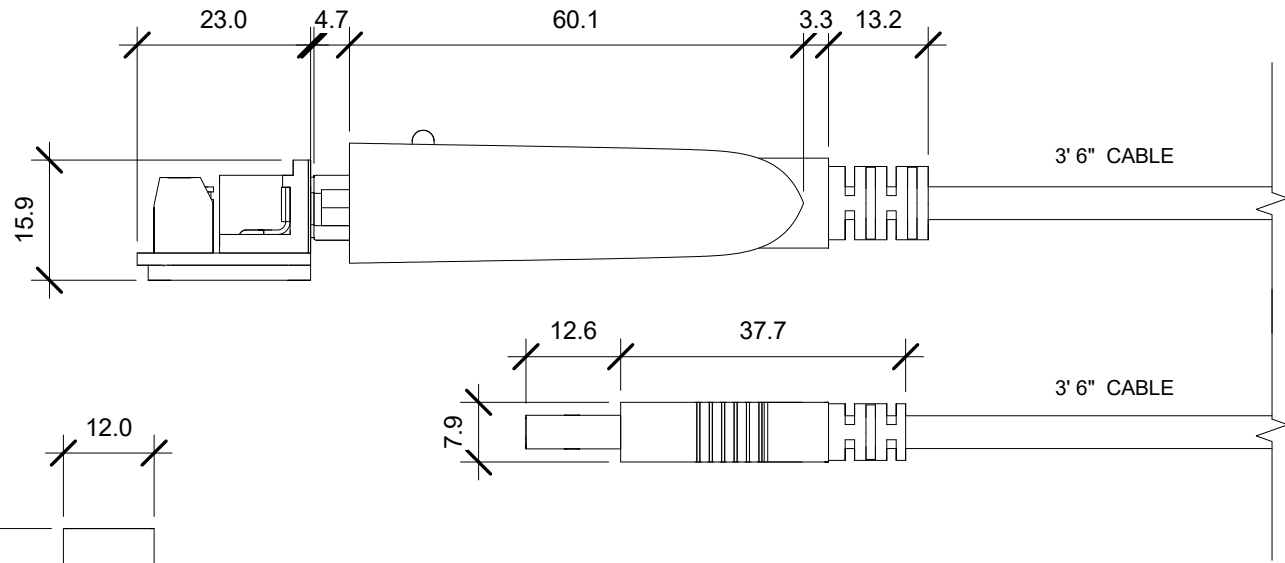
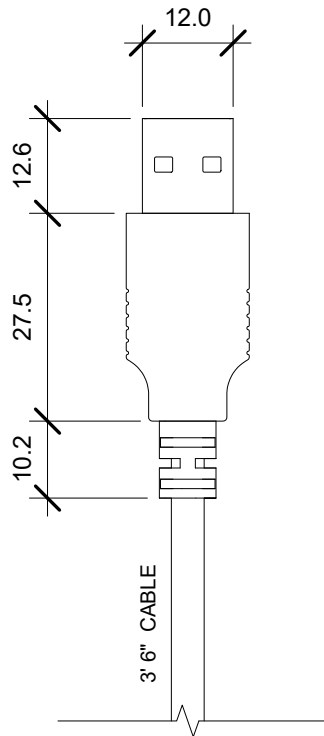
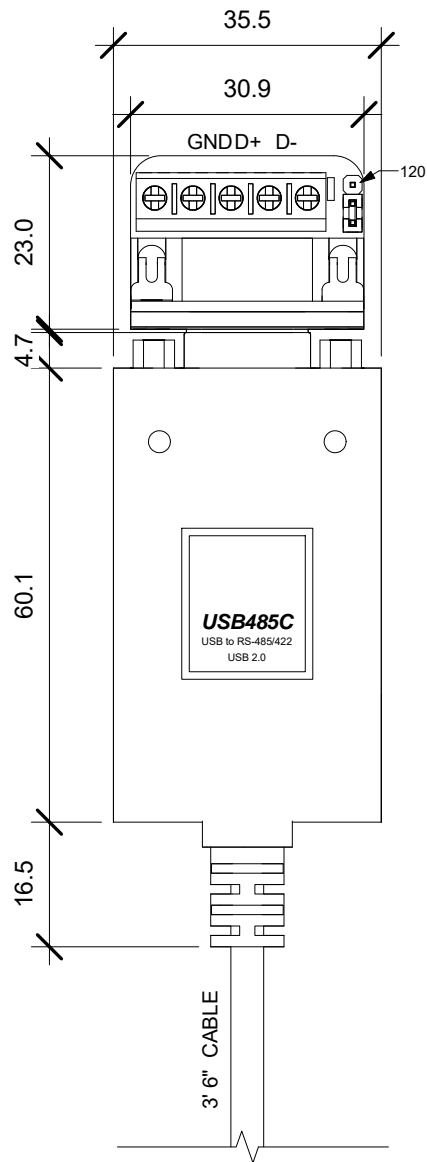


Serial Comm®
Data Conversion Experts

MODEL: USB-485C	
DESCRIPTION: USB to RS-485/RS-422 Serial Converter with 3-Position Terminal Block	
SCALE: 1:1	UNIT: mm
ISSUE DATE: 01/09/2017	REV. NO.: 1.00



Serial Comm®
Data Conversion Experts

MODEL: USB-485C

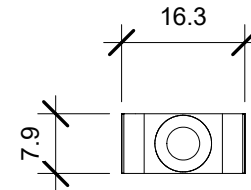
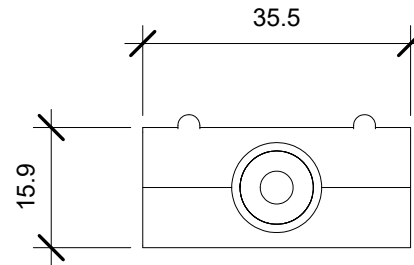
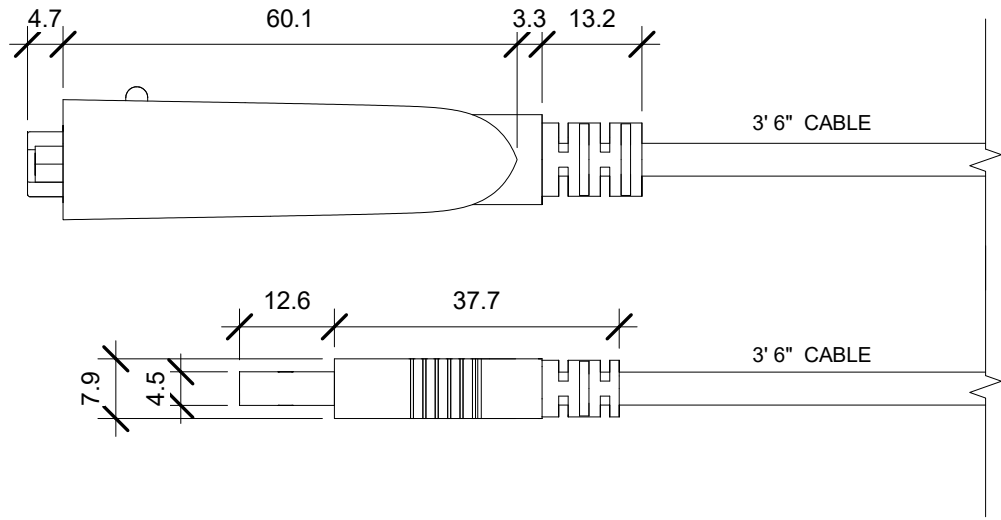
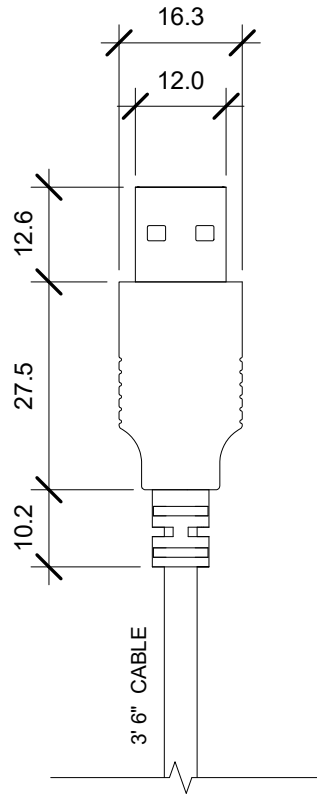
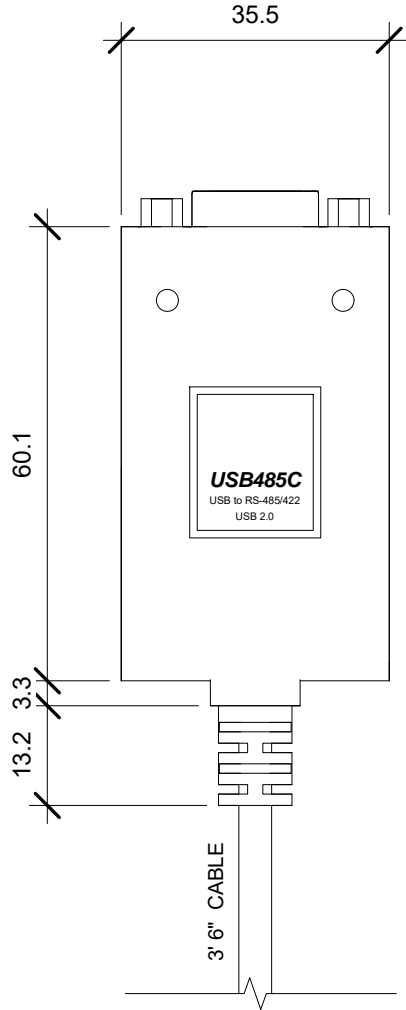
DESCRIPTION: USB to RS-485/RS-422 Serial Converter with 5-Position Terminal Block

SCALE: 1:1

UNIT: mm

ISSUE DATE: 01/09/2017

REV. NO.: 1.00



Serial Comm®
Data Conversion Experts

MODEL: USB-485C

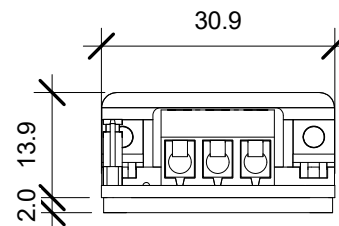
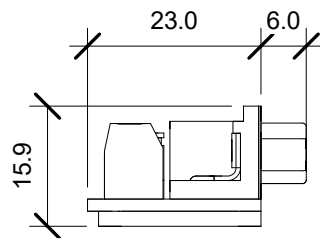
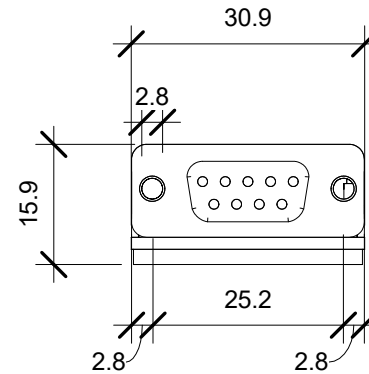
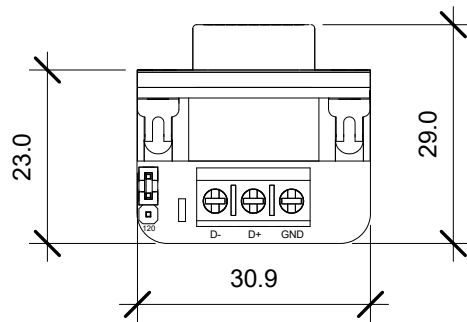
DESCRIPTION: USB to RS-232/RS-422 Serial Converter without Terminal Block

SCALE: 1:1

UNIT: mm

ISSUE DATE: 01/09/2017

REV. NO.: 1.00



Serial Comm®
Data Conversion Experts

MODEL: USB-485C

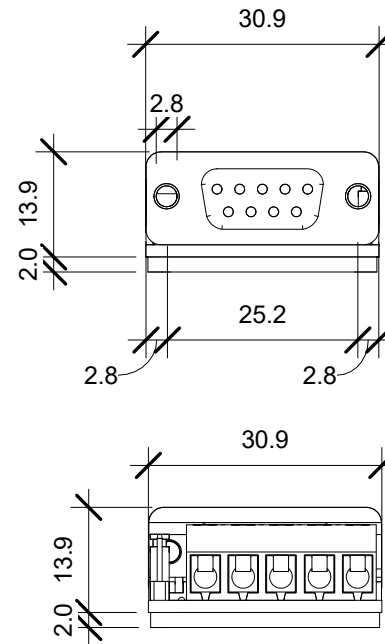
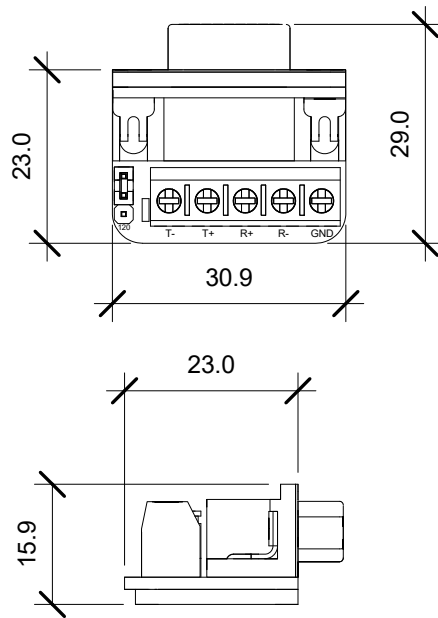
DESCRIPTION: 3-Position Terminal Block

SCALE: 1:1

UNIT: mm

ISSUE DATE: 01/09/2017

REV. NO.: 1.00



Serial Comm®
Data Conversion Experts

MODEL: USB-485C

DESCRIPTION: 5-Position Terminal Block

SCALE: 1:1

UNIT: mm

ISSUE DATE: 01/09/2017

REV. NO.: 1.00