

Serial Comm®
Data Conversion Experts

MODEL: CON-485-PE9

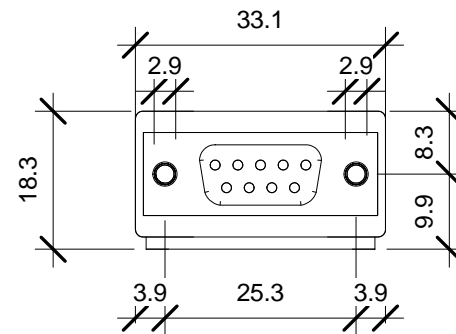
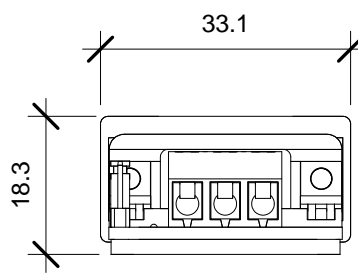
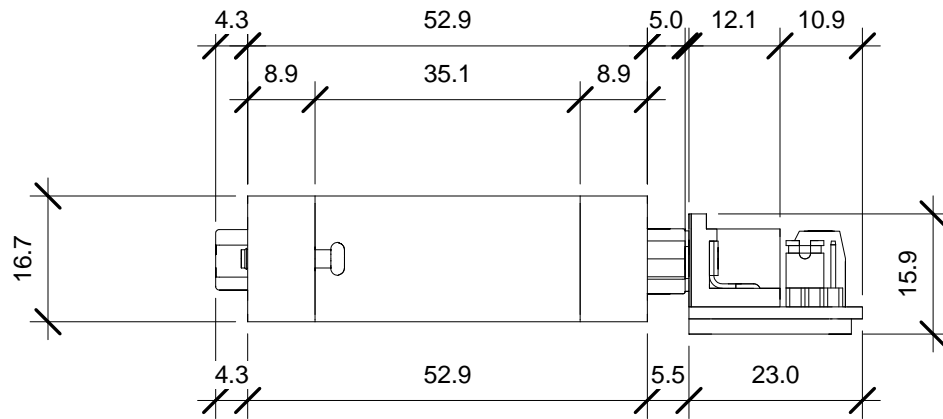
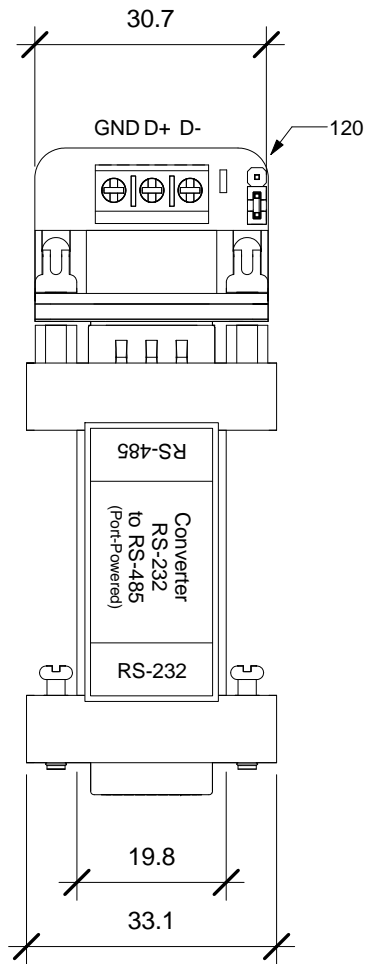
DESCRIPTION: RS565 to RS485 with 3-Position Terminal Block (Rugged)

SCALE: 1:1

UNIT: mm

ISSUE DATE: 11/04/2016

REV. NO.: 1.00



Serial Comm®
Data Conversion Experts

MODEL: CON-485-PE9

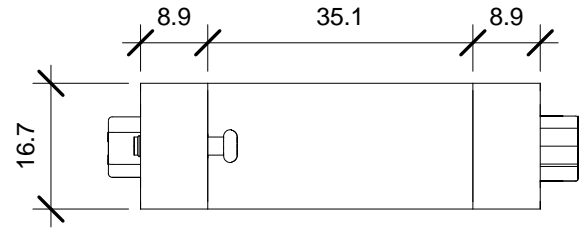
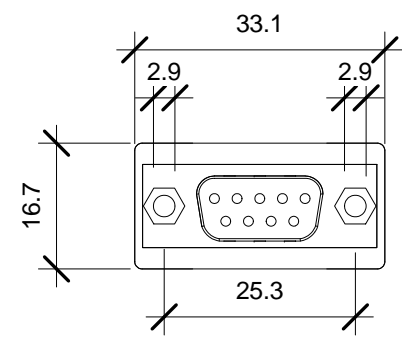
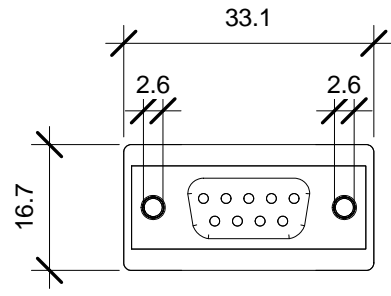
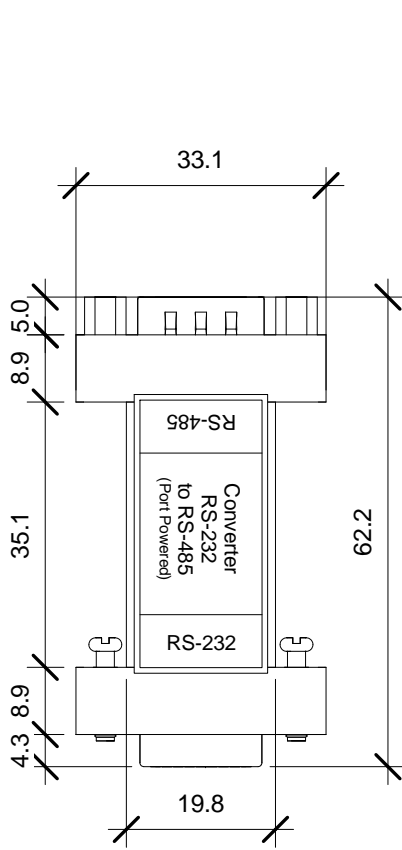
DESCRIPTION: RS232 to RS485 with 3-Position (Term. Optional)

SCALE: 1:1

UNIT: mm

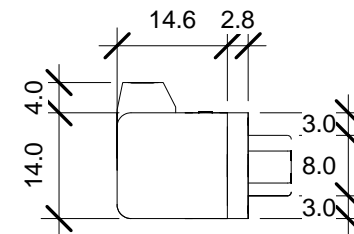
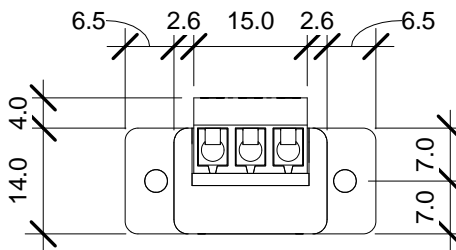
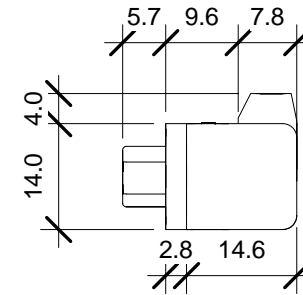
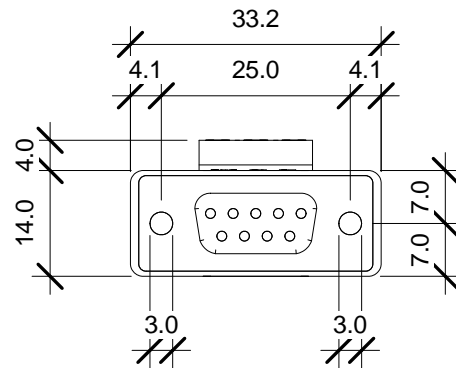
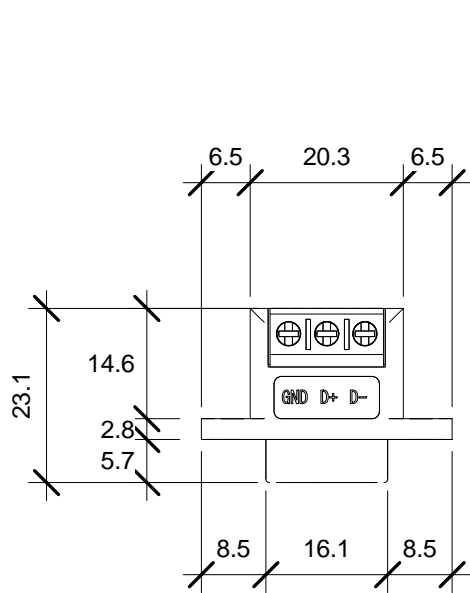
ISSUE DATE: 11/04/2016

REV. NO.: 1.00



Serial Comm®
Data Conversion Experts

MODEL: CON-485-PE9	
DESCRIPTION: RS232 to RS485 (No Terminal Blocks)	
SCALE: 1:1	UNIT: mm
ISSUE DATE: 11/04/2016	REV. NO.: 1.00



Serial Comm®
Data Conversion Experts

MODEL: CON-485-PE9

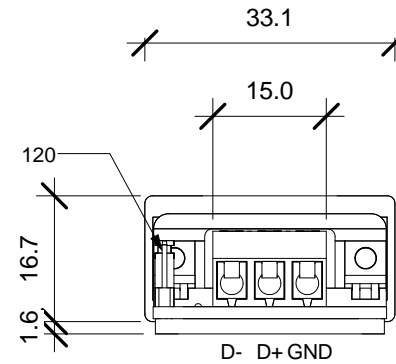
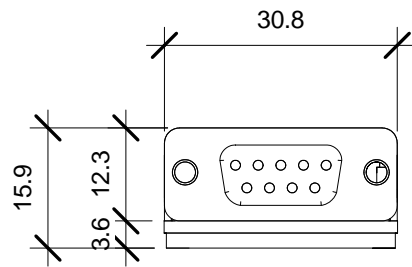
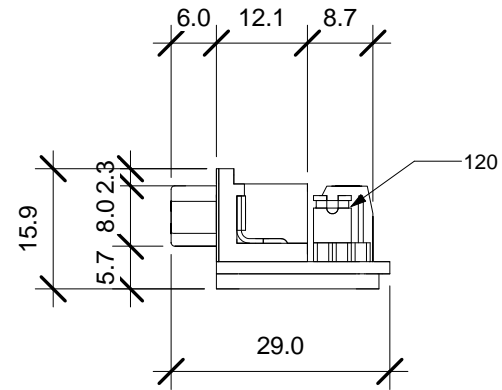
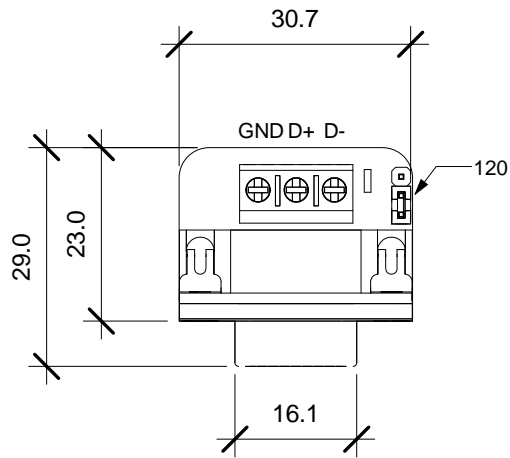
DESCRIPTION: 3-Position Terminal Block (Rugged)

SCALE: 1:1

UNIT: mm

ISSUE DATE: 11/04/2016

REV. NO.: 1.00



Serial Comm®
Data Conversion Experts

MODEL: CON-485-PE9

DESCRIPTION: 3-Position Terminal Block (Term. Optional)

SCALE: 1:1

UNIT: mm

ISSUE DATE: 11/04/2016

REV. NO.: 1.00