

6 5 4 3 2 1

D

C

B

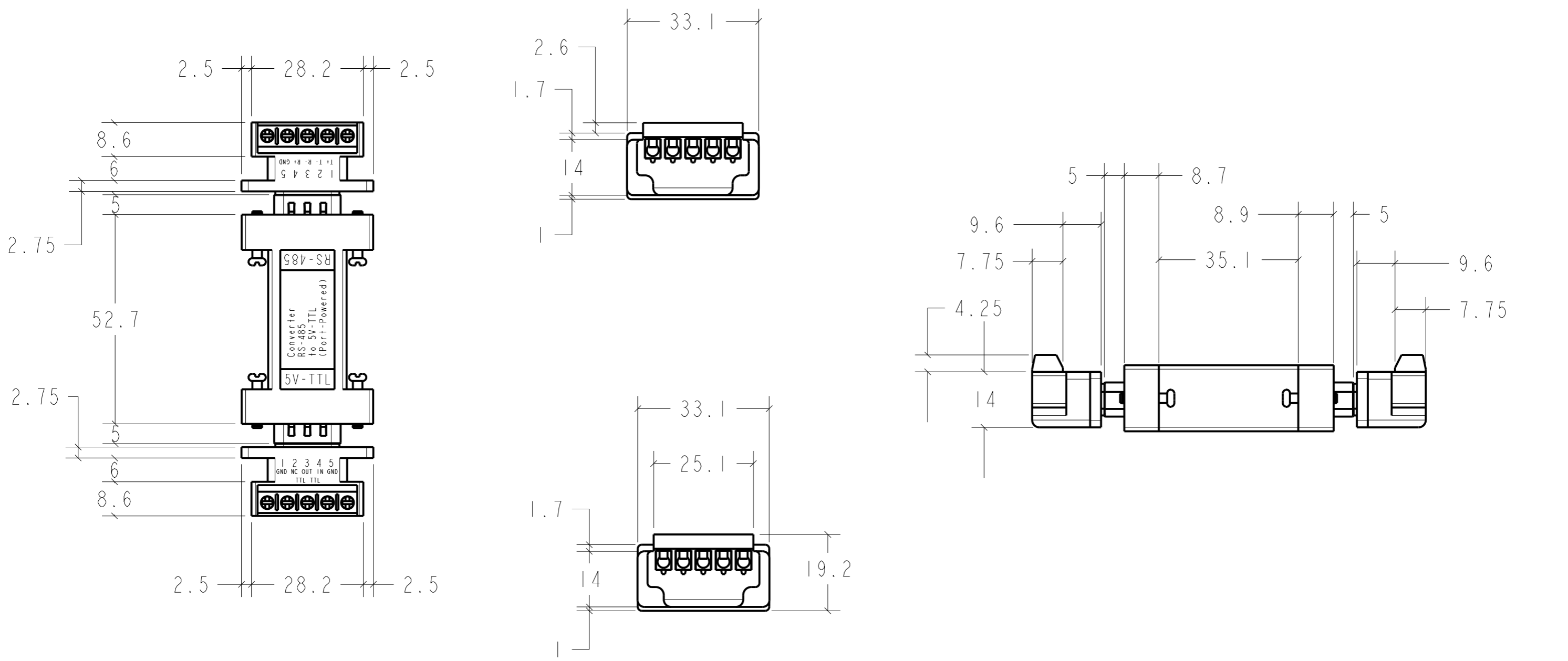
A

D

C

B

A



Serial Comm®
Data Conversion Experts

MODEL:	TTL-485-5P		
DESCRIPTION:	RS485 to 5V TTL (RS485&TTL 5- Position Terminal Block)		
SCALE:	1:1	UNIT:	mm
ISSUE DATE:	10/15/2023	REV. NO.:	1.00

6 5 4 3 2 1

6

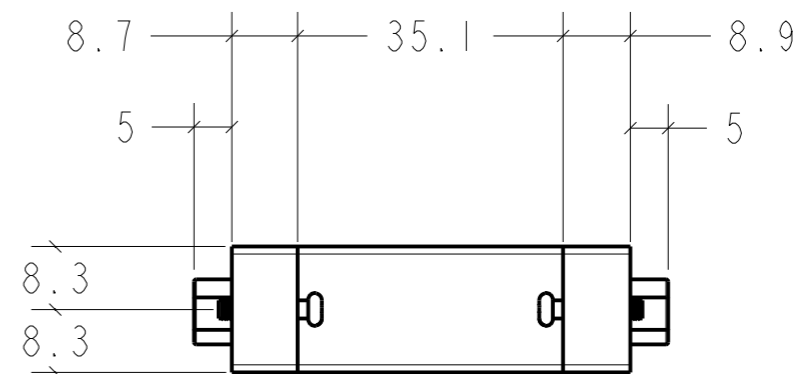
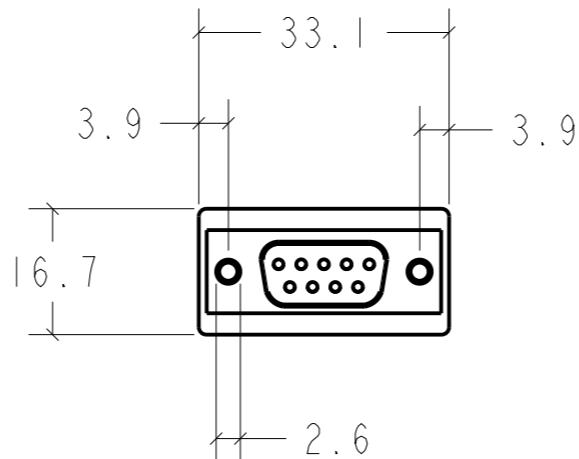
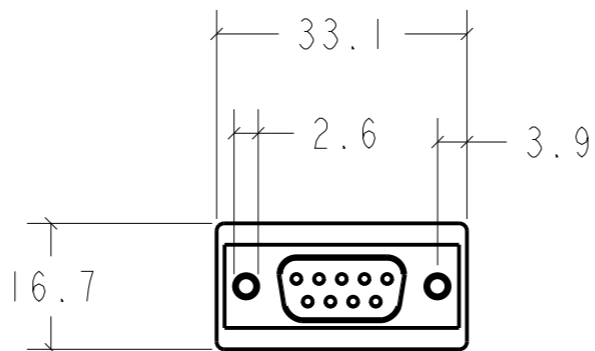
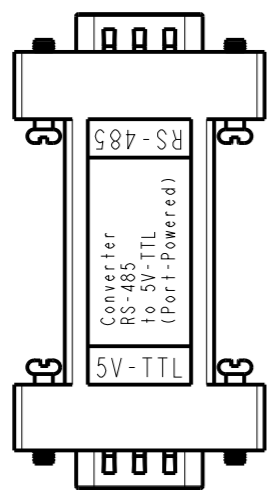
5

4

3

2

1



Serial Comm®
Data Conversion Experts

MODEL:	TTL-485-5P		
DESCRIPTION:	RS485 to 5V TTL (NO TERMINAL BLOCK)		
SCALE:	1:1	UNIT:	mm
ISSUE DATE:	10/15/2023	REV. NO.:	1.00

6

5

4

3

2

1

6

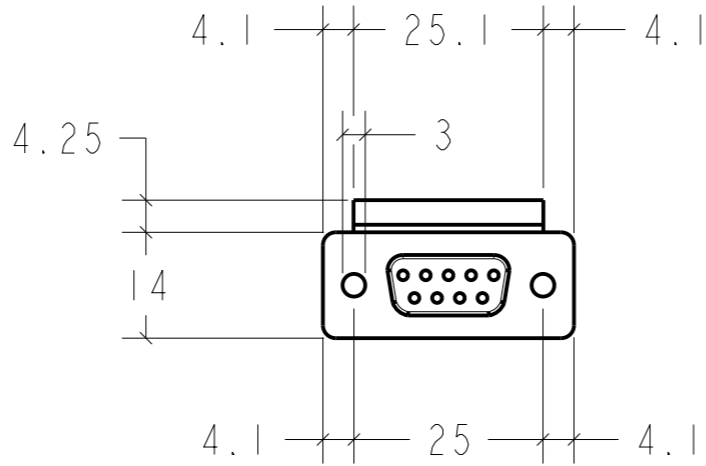
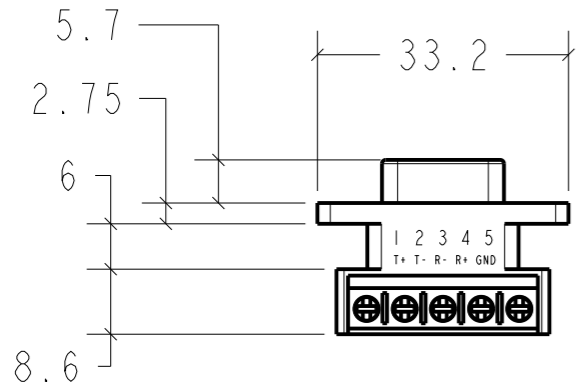
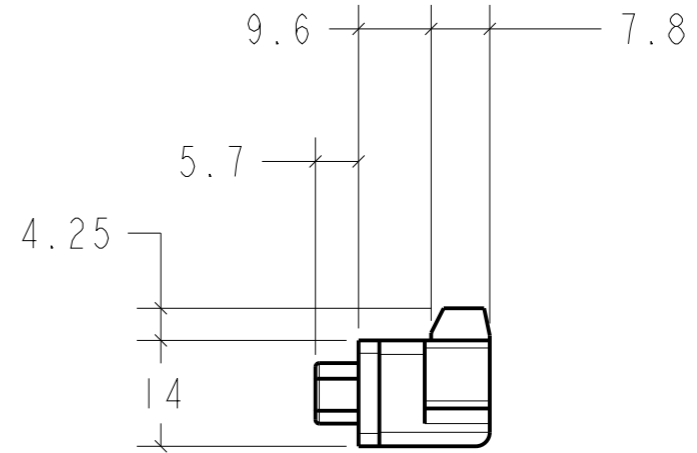
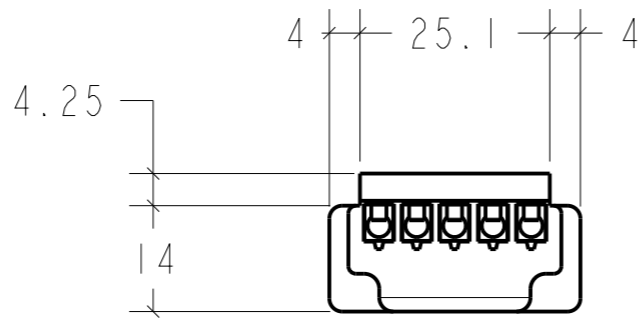
5

4

3

2

1



Serial Comm®
Data Conversion Experts

MODEL:	TTL-485-5P		
DESCRIPTION:	RS485 5-Position Terminal Block		
SCALE:	1:1	UNIT:	mm
ISSUE DATE:	10/15/2023	REV. NO.:	1.00

6

5

4

3

2

1

6

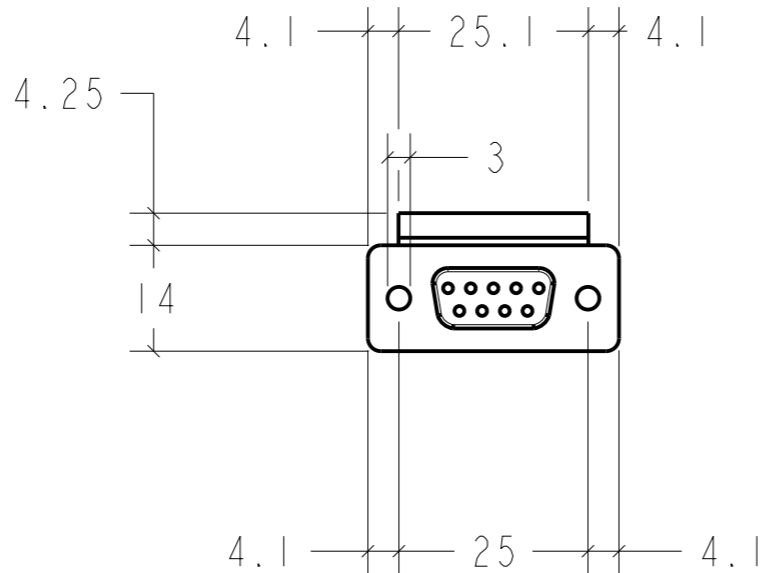
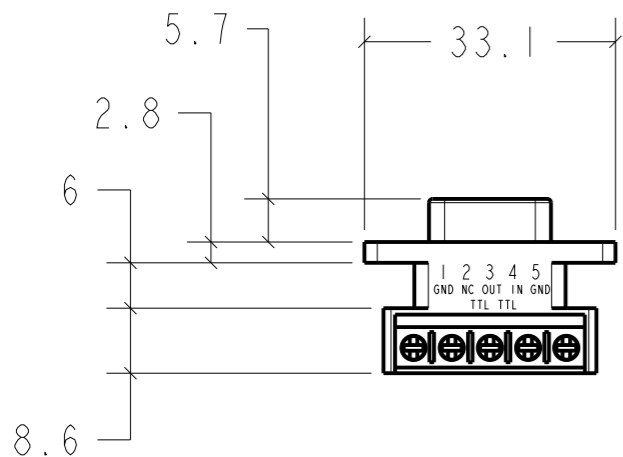
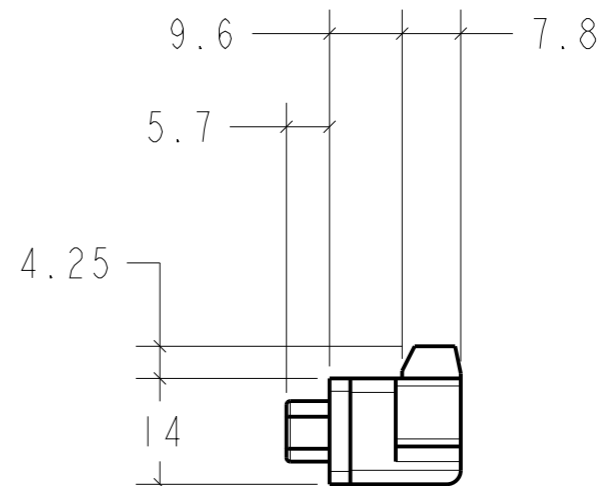
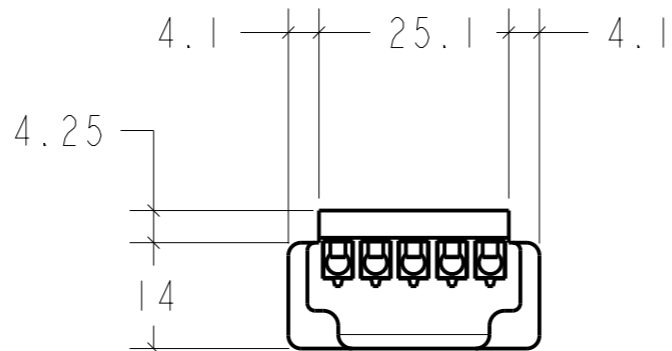
5

4

3

2

1



Serial Comm®
Data Conversion Experts

MODEL:	TTL-485-5P		
DESCRIPTION:	TTL 5-Position Terminal Block		
SCALE:	1:1	UNIT:	mm
ISSUE DATE:	10/15/2023	REV. NO.:	1.00

6

5

4

3

2

1