

Serial Comm®
Data Conversion Experts

MODEL: USB-485B

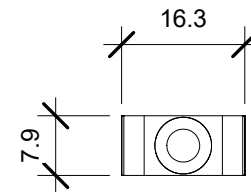
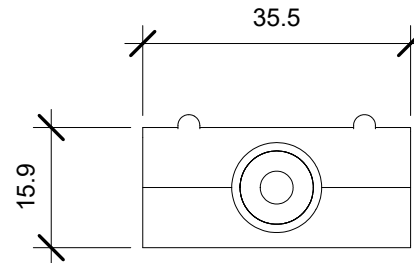
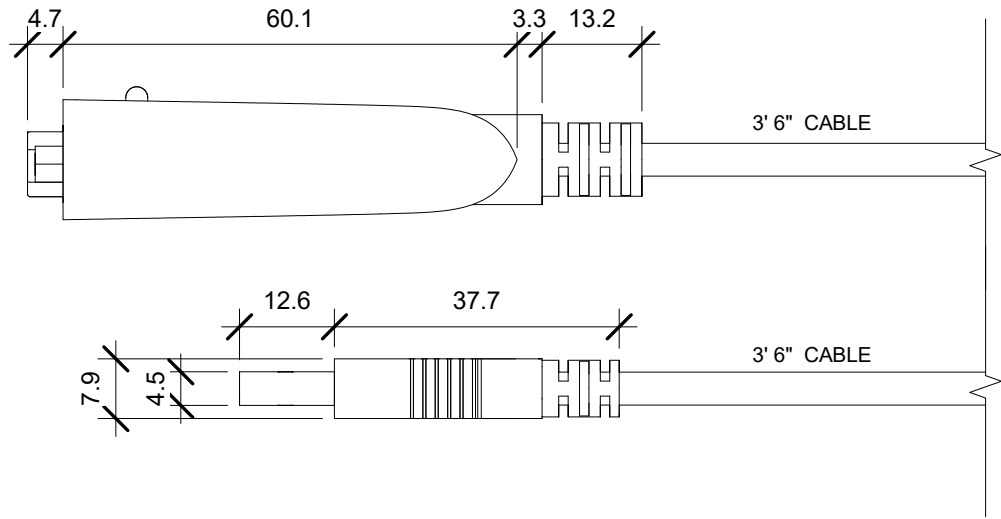
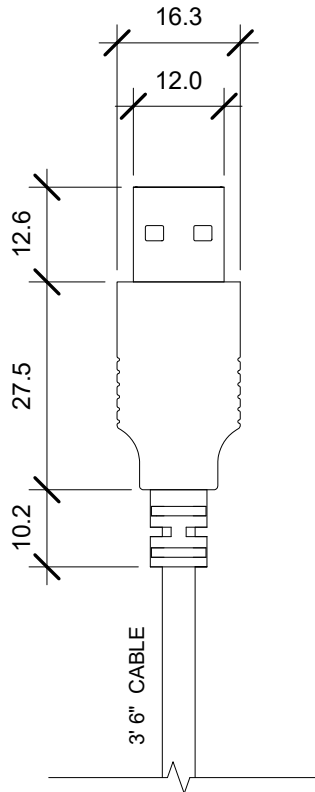
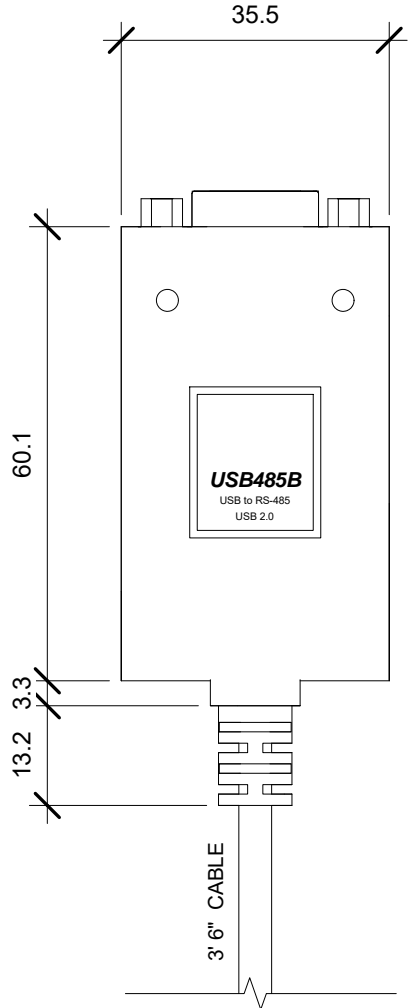
DESCRIPTION: USB to RS-485 Serial Converter with Terminal Block

SCALE: 1:1

UNIT: mm

ISSUE DATE: 01/09/2017

REV. NO.: 1.00



Serial Comm®
Data Conversion Experts

MODEL: USB-485B

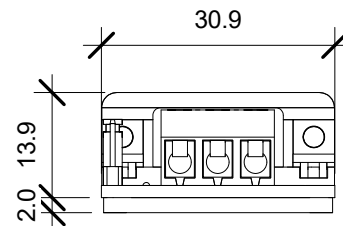
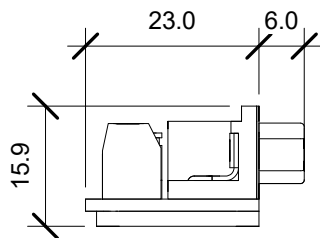
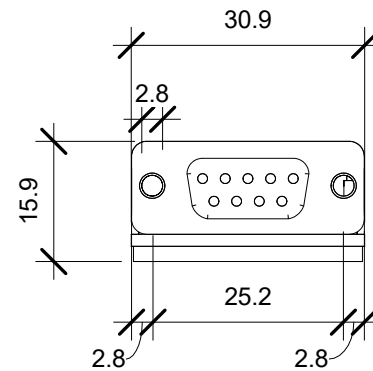
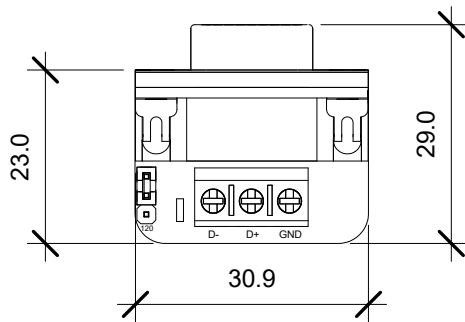
DESCRIPTION: USB to RS-485 Serial Converter without Terminal Block

SCALE: 1:1

UNIT: mm

ISSUE DATE: 01/09/2017

REV. NO.: 1.00



Serial Comm®
Data Conversion Experts

MODEL: USB-485B

DESCRIPTION: 3-Position Terminal Block

SCALE: 1:1

UNIT: mm

ISSUE DATE: 01/09/2017

REV. NO.: 1.00