

**Serial Comm**®  
Data Conversion Experts

MODEL: CON-422-PE9

DESCRIPTION: RS232 to RS422 with 5-Position Terminal Block (Rugged)

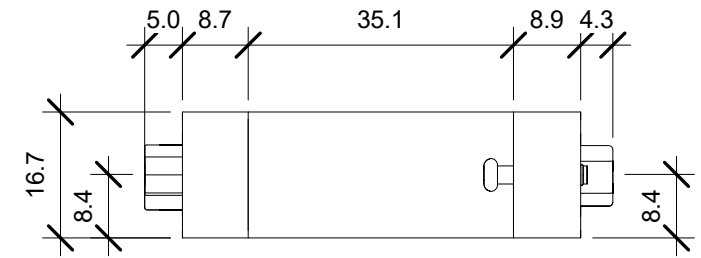
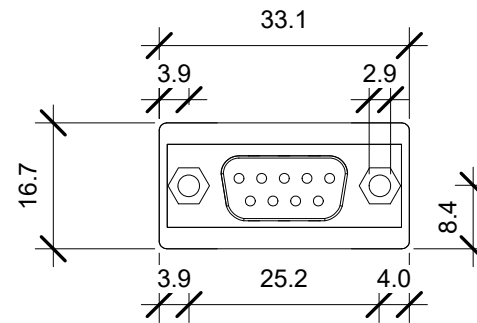
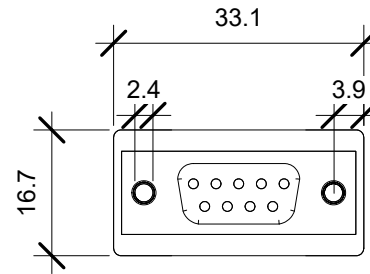
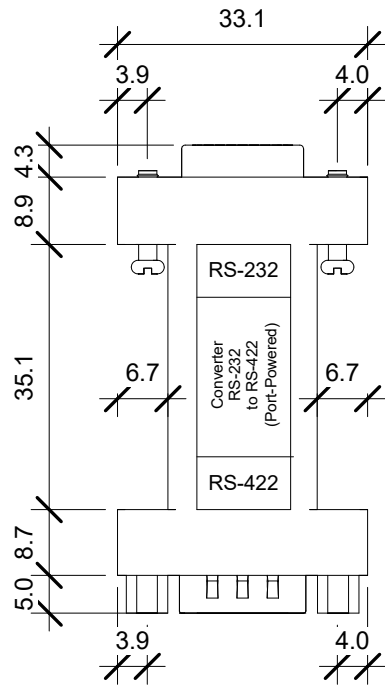
SCALE: 1:1

UNIT: mm

ISSUE DATE: 11/02/2016

REV. NO.: 1.00





**Serial Comm**®  
Data Conversion Experts

MODEL: CON-422-PE9

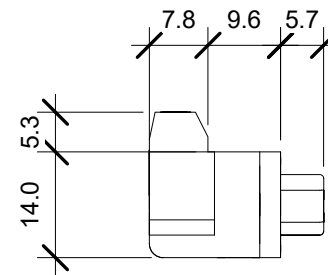
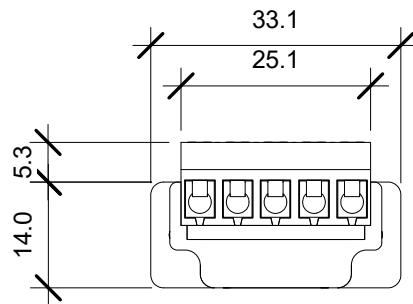
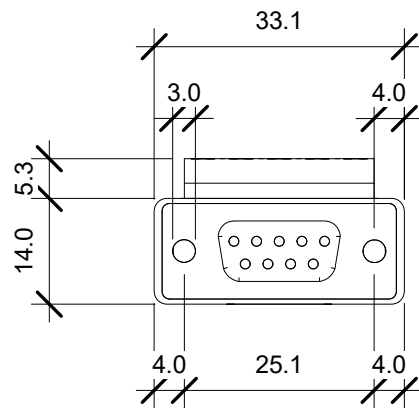
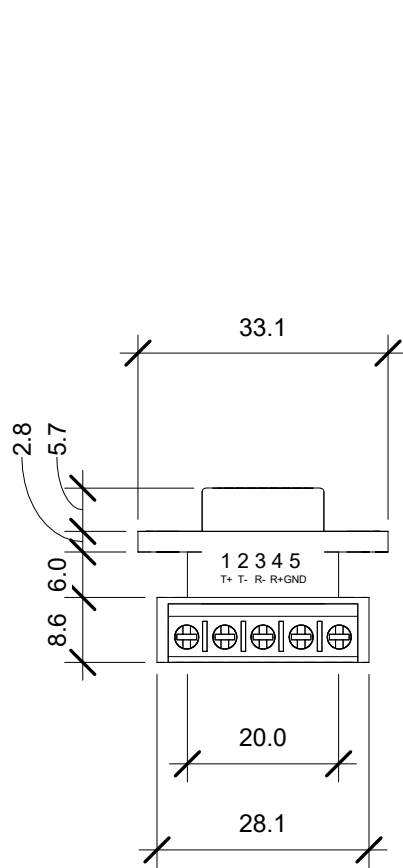
DESCRIPTION: RS232 to RS422 (No Terminal Block)

SCALE: 1:1

UNIT: mm

ISSUE DATE: 11/02/2016

REV. NO.: 1.00



**Serial Comm**®  
Data Conversion Experts

MODEL: CON-422-PE9

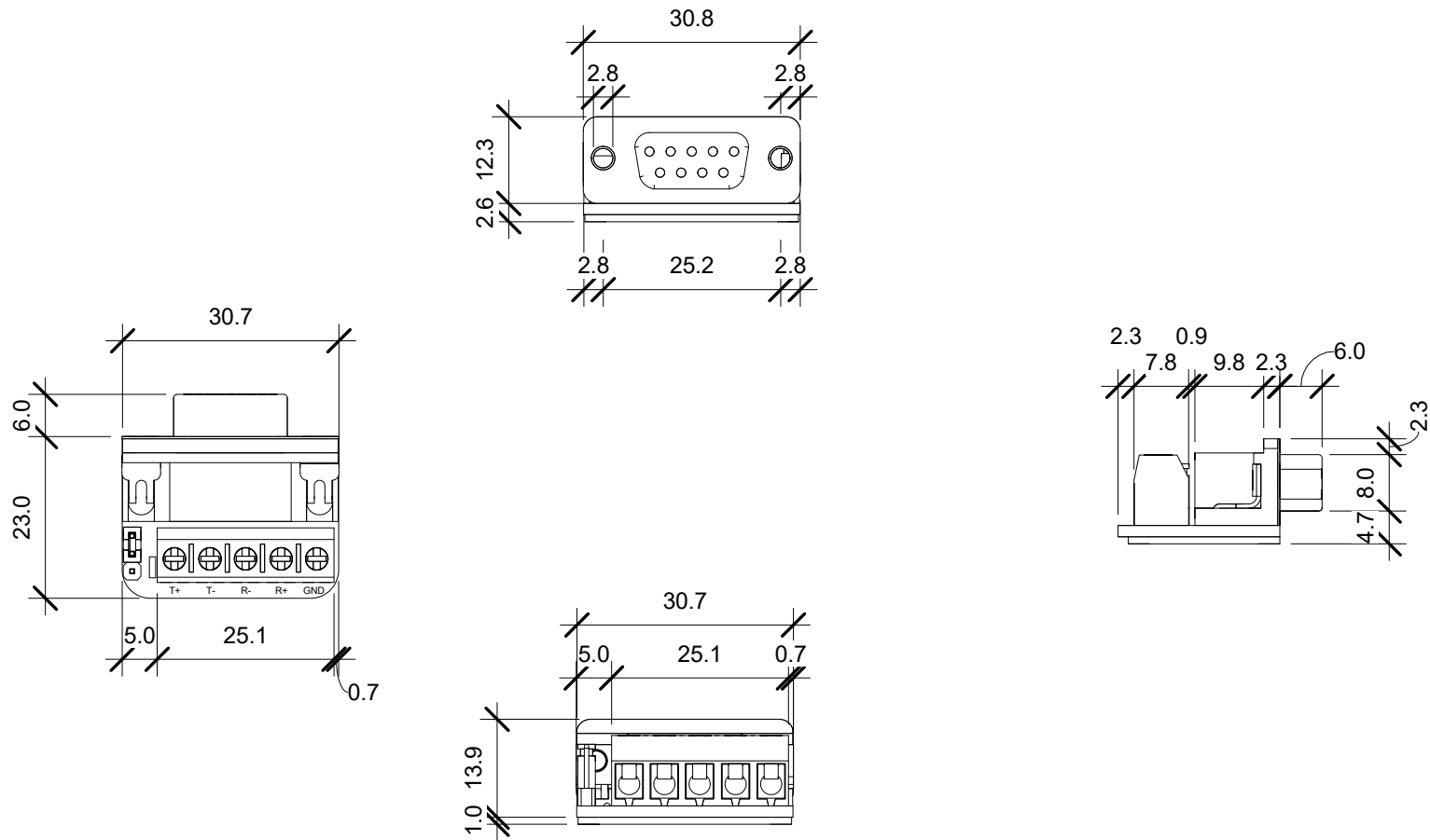
DESCRIPTION: 5-Position Terminal Block (Rugged)

SCALE: 1:1

UNIT: mm

ISSUE DATE: 11/02/2016

REV. NO.: 1.00



**Serial Comm**®  
Data Conversion Experts

MODEL: CON-422-PE9

DESCRIPTION: 5-Position Terminal Block (Term. Optional)

SCALE: 1:1

UNIT: mm

ISSUE DATE: 11/02/2016

REV. NO.: 1.00