

**Serial Comm**®  
Data Conversion Experts

MODEL: CON-485/422-EE9

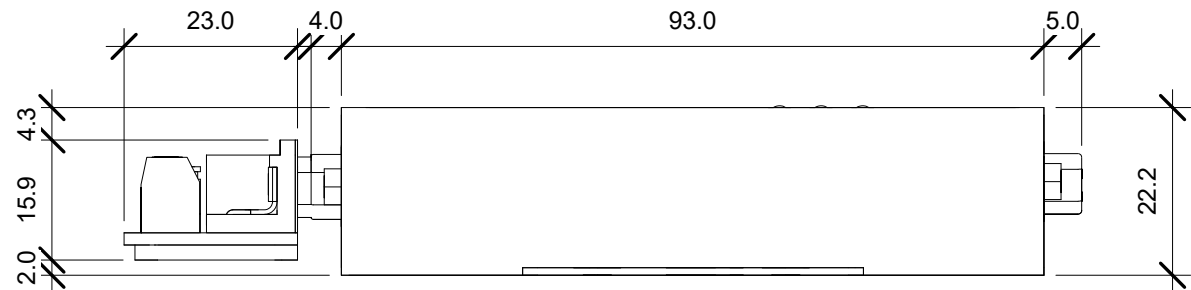
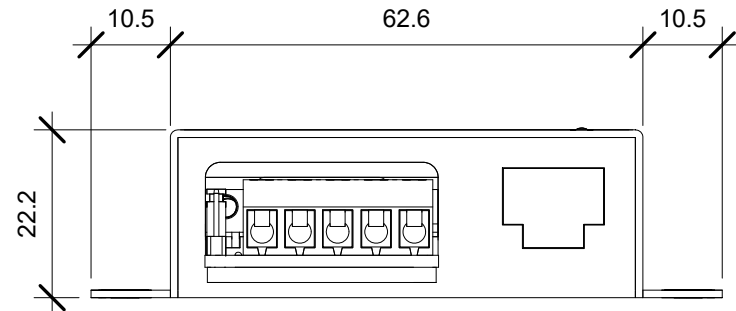
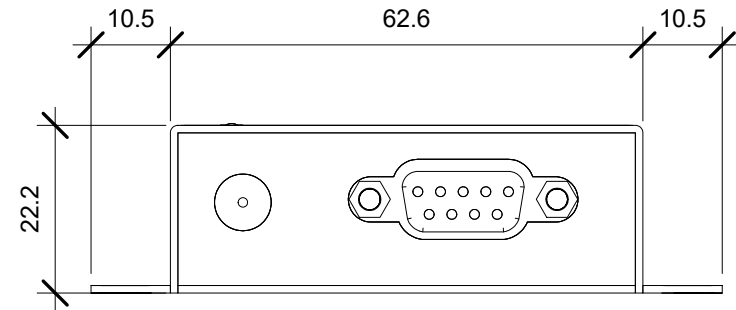
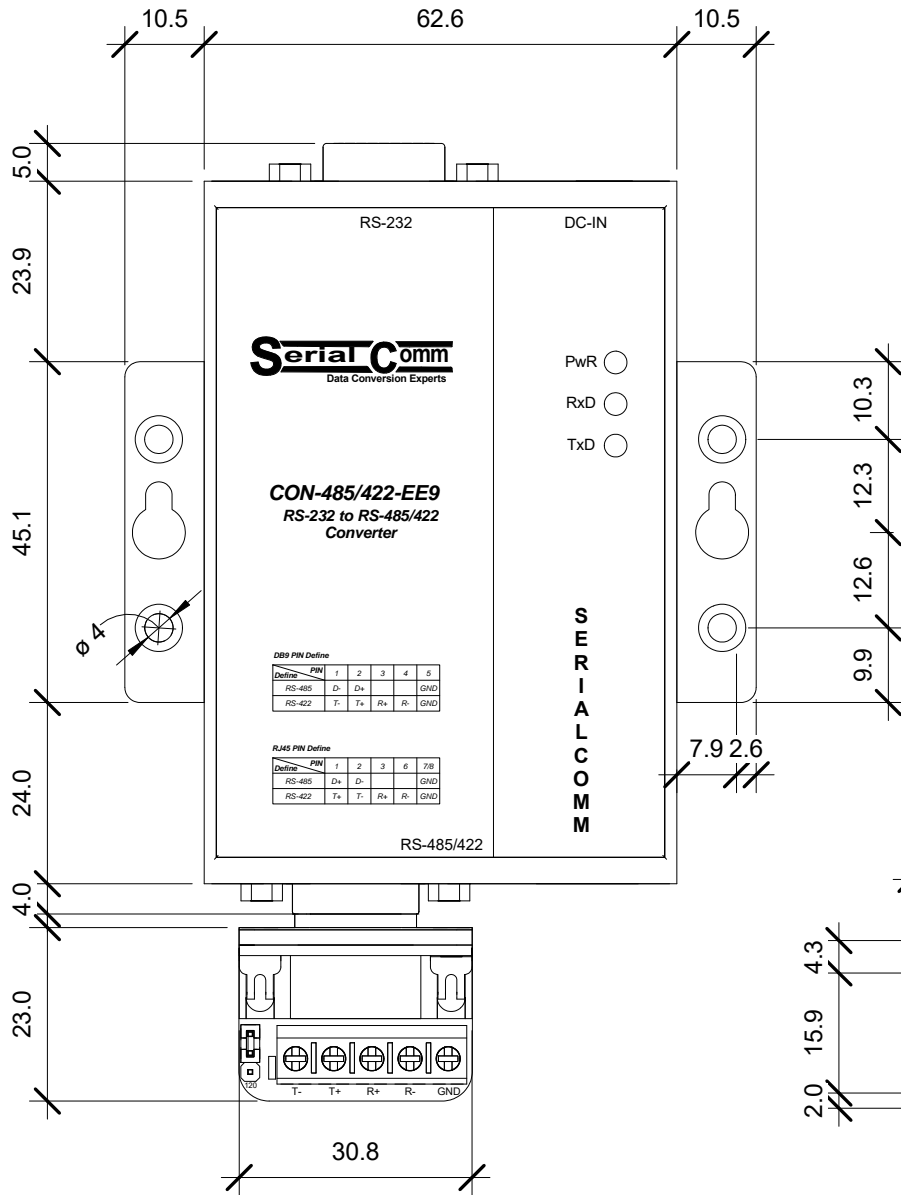
DESCRIPTION: Powered RS232 to 2-Wire RS485/RS422 (3-Position Terminal Block)

SCALE: 1:1

UNIT: mm

ISSUE DATE: 11/08/2016

REV. NO.: 1.00



**Serial Comm**®  
Data Conversion Experts

MODEL: CON-485/422-EE9

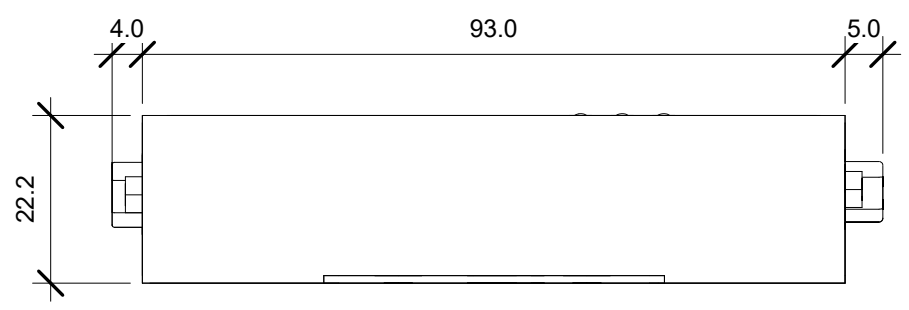
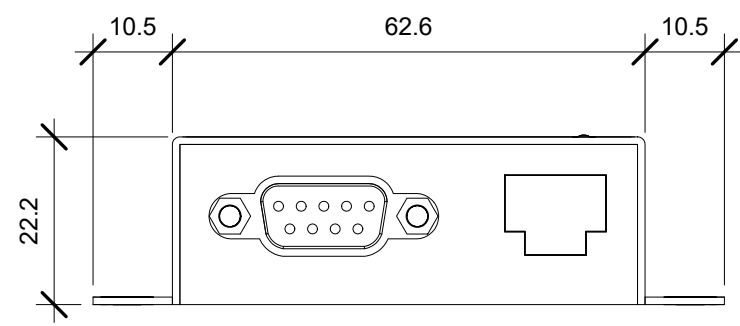
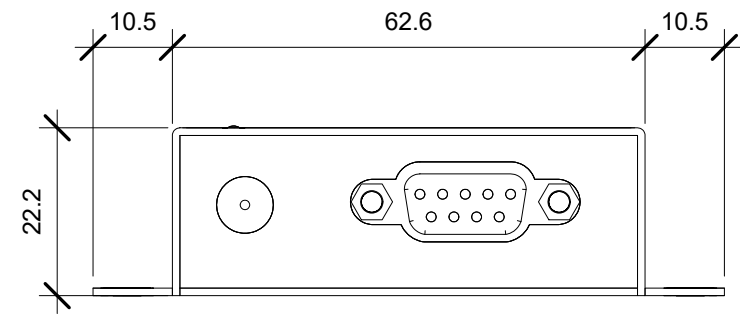
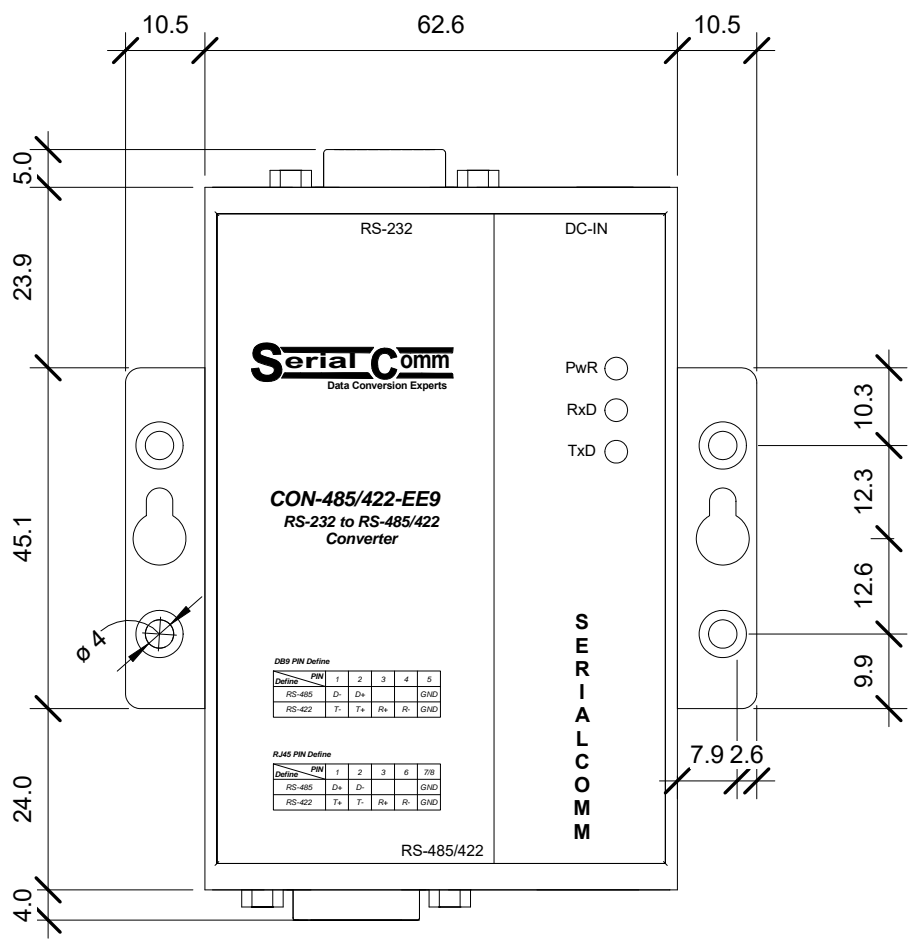
DESCRIPTION: Powered RS232 to 2-Wire RS485/RS422 (5-Position Terminal Block)

SCALE: 1:1

UNIT: mm

ISSUE DATE: 11/08/2016

REV. NO.: 1.00



**Serial Comm**®  
Data Conversion Experts

MODEL: CON-485/422-EE9

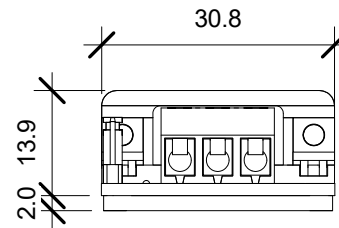
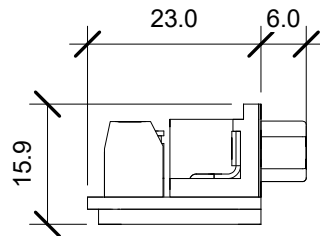
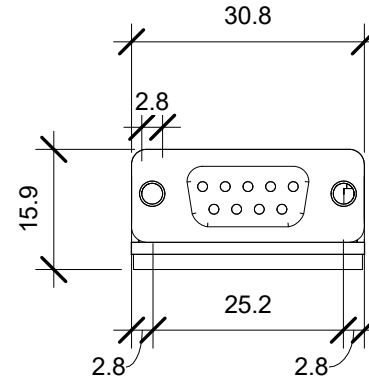
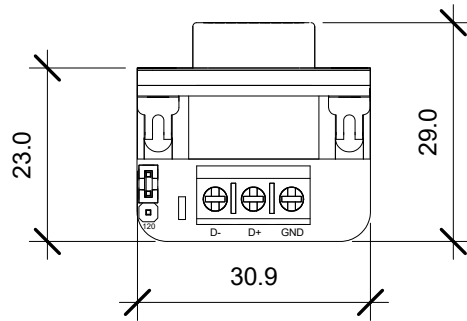
DESCRIPTION: Powered RS232 to 2-Wire RS485/422 (No Terminal Block)

SCALE: 1:1

UNIT: mm

ISSUE DATE: 11/08/2016

REV. NO.: 1.00



**Serial Comm**®  
Data Conversion Experts

MODEL: CON-485/422-EE9

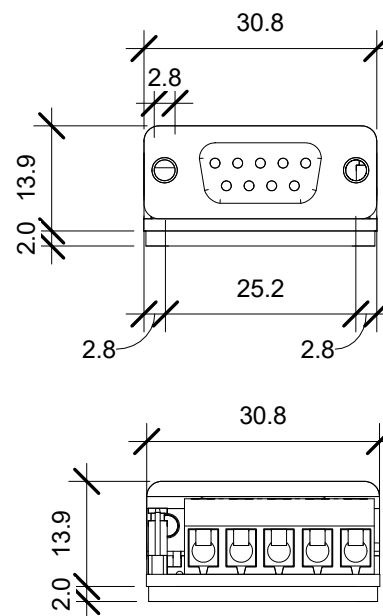
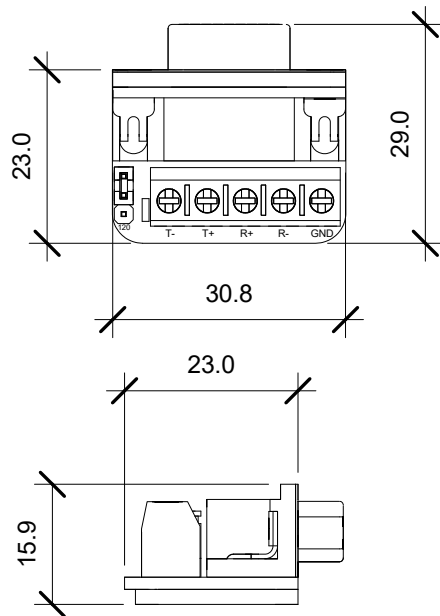
DESCRIPTION: 3-Position Terminal Block

SCALE: 1:1

UNIT: mm

ISSUE DATE: 11/08/2016

REV. NO.: 1.00



**Serial Comm**®  
Data Conversion Experts

MODEL: CON-485/422-EE9

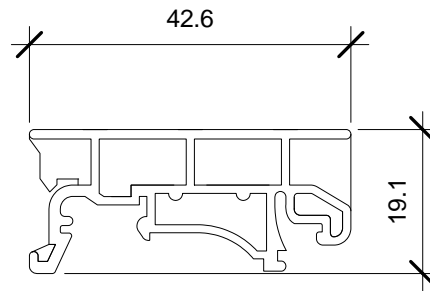
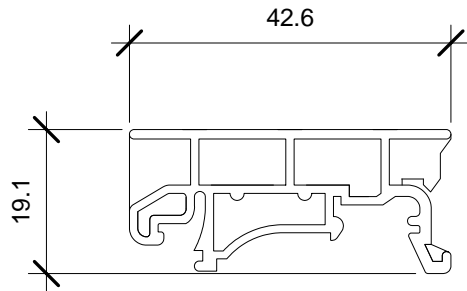
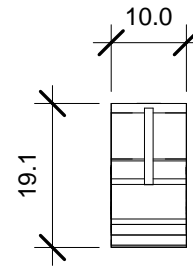
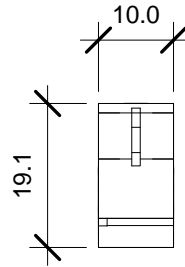
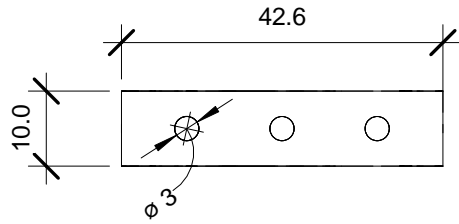
DESCRIPTION: 5-Position Terminal Block

SCALE: 1:1

UNIT: mm

ISSUE DATE: 11/08/2016

REV. NO.: 1.00



**Serial Comm**®  
Data Conversion Experts

MODEL: DIN Bracket

DESCRIPTION: Optional DIN Rail Bracket

SCALE: 1:1

UNIT: mm

ISSUE DATE: 11/08/2016

REV. NO.: 1.00