

**Serial Comm**®  
Data Conversion Experts

MODEL: ISO-485-P

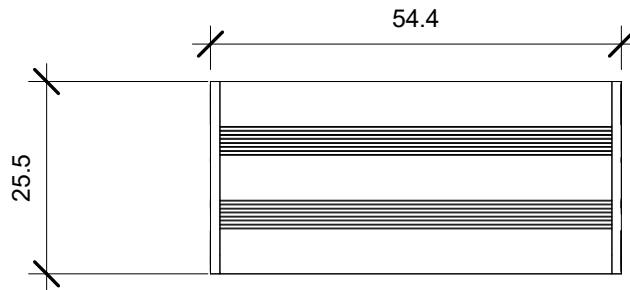
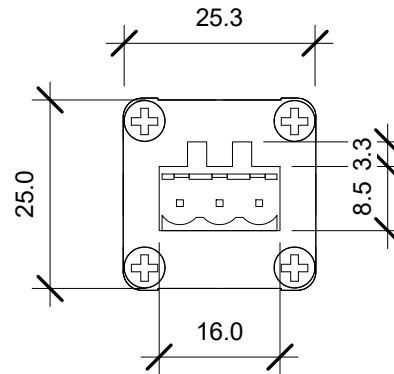
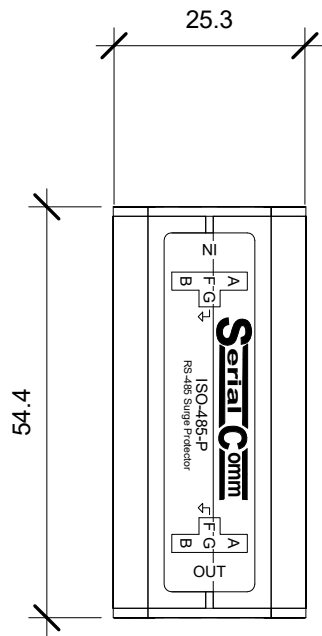
DESCRIPTION: RS485 Surge Suppressor with 3-Position Terminal Blocks

SCALE: 1:1

UNIT: mm

ISSUE DATE: 10/24/2016

REV. NO.: 1.00



**Serial Comm**®  
Data Conversion Experts

MODEL: ISO-485-P

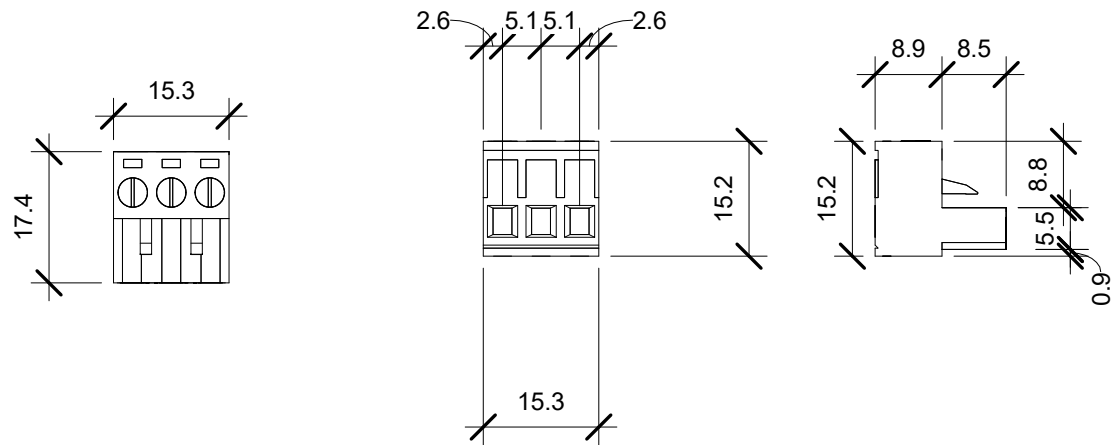
DESCRIPTION: RS485 Surge Suppressor without Terminal Blocks

SCALE: 1:1

UNIT: mm

ISSUE DATE: 10/24/2016

REV. NO.: 1.00



**Serial Comm**®  
Data Conversion Experts

MODEL: ISO-485-P

DESCRIPTION: 3-Position Terminal Blocks

SCALE: 1:1

UNIT: mm

ISSUE DATE: 10/24/2016

REV. NO.: 1.00