

Serial Comm®
Data Conversion Experts

MODEL: ISO-485-PI9

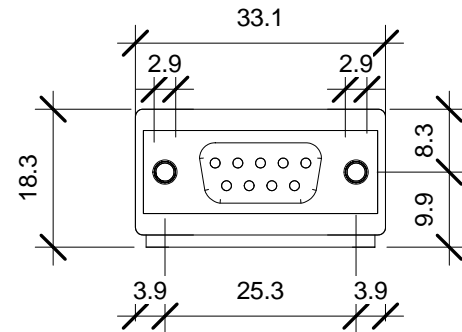
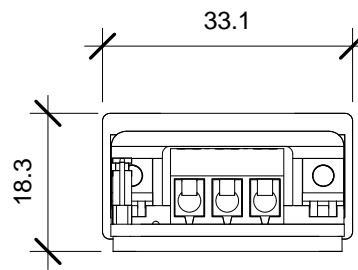
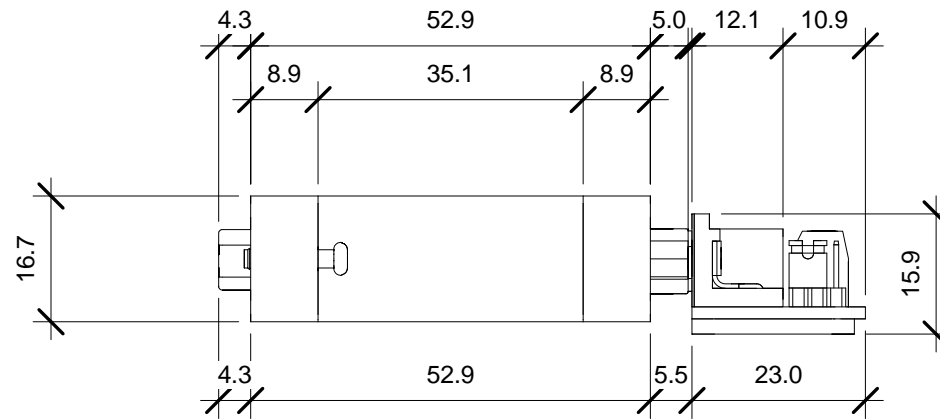
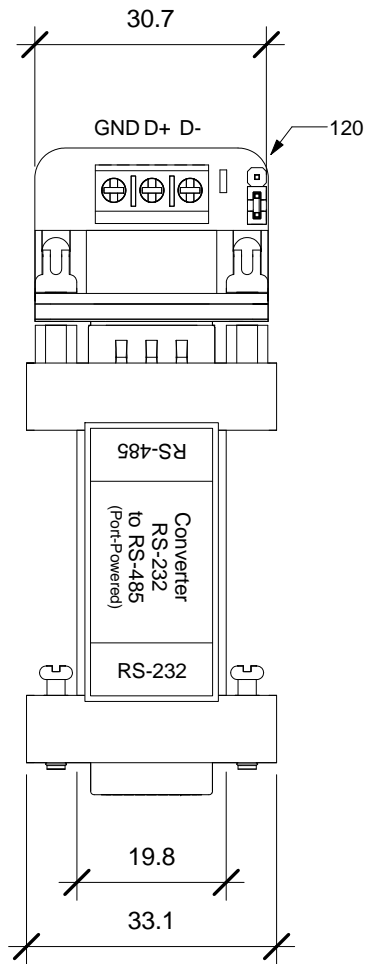
DESCRIPTION: Isolated RS232 to RS485 with 3-Position Terminal Block (Rugged)

SCALE: 1:1

UNIT: mm

ISSUE DATE: 11/06/2016

REV. NO.: 1.00



Serial Comm®
Data Conversion Experts

MODEL: ISO-485-PI9

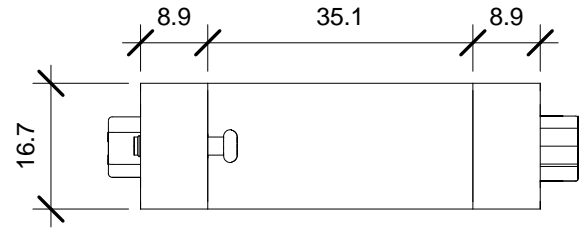
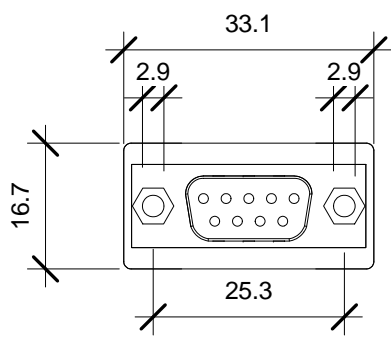
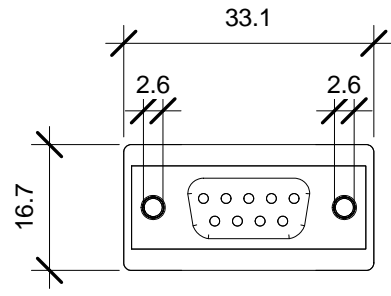
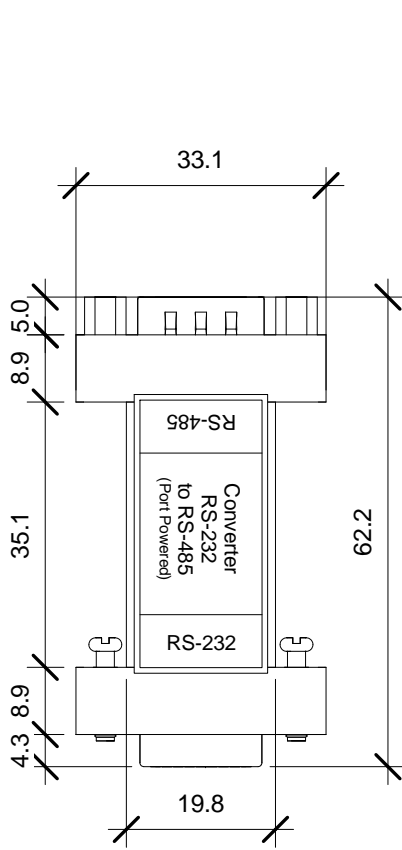
DESCRIPTION: Isolated RS232 to RS485 with 3-Position (Term. Optional)

SCALE: 1:1

UNIT: mm

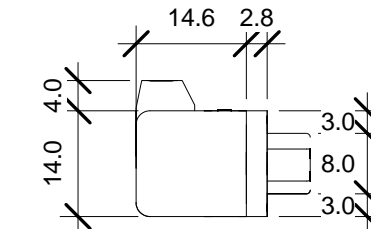
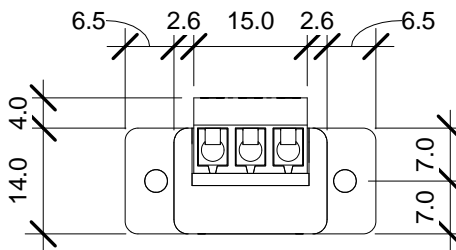
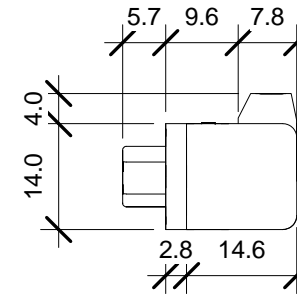
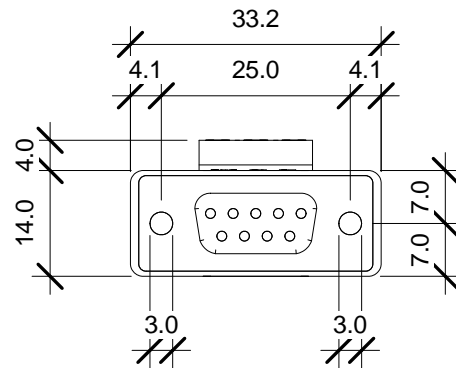
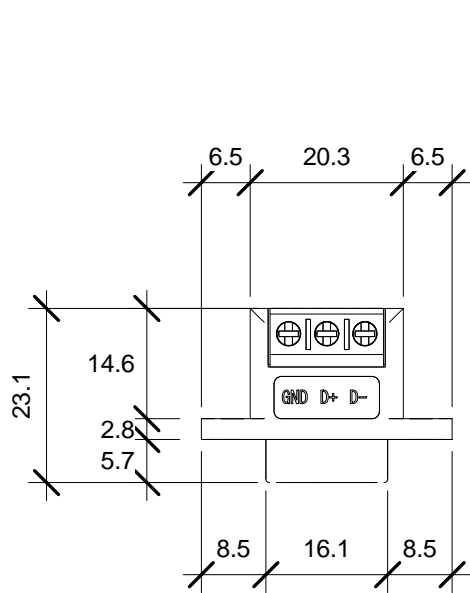
ISSUE DATE: 11/06/2016

REV. NO.: 1.00



Serial Comm®
Data Conversion Experts

MODEL: ISO-485-PI9	
DESCRIPTION: Isolated RS232 to RS485 (No Terminal Blocks)	
SCALE: 1:1	UNIT: mm
ISSUE DATE: 11/06/2016	REV. NO.: 1.00



Serial Comm®
Data Conversion Experts

MODEL: ISO-485-PI9

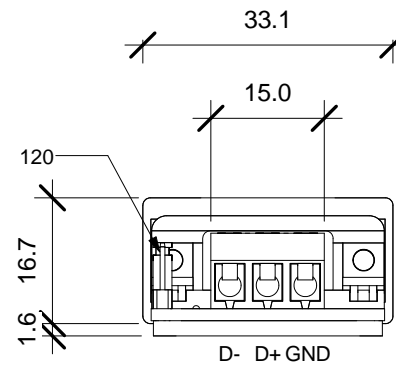
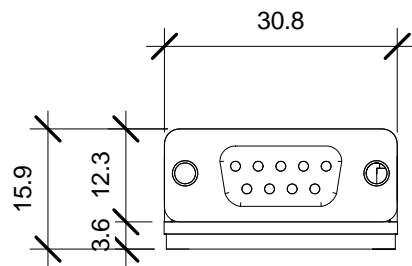
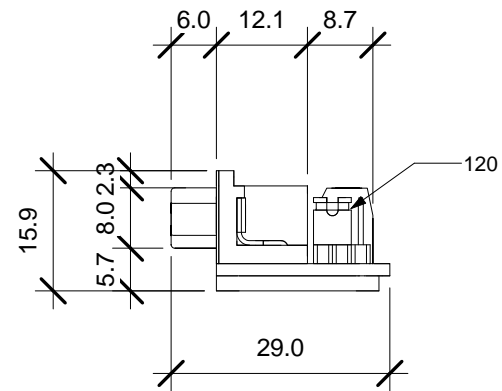
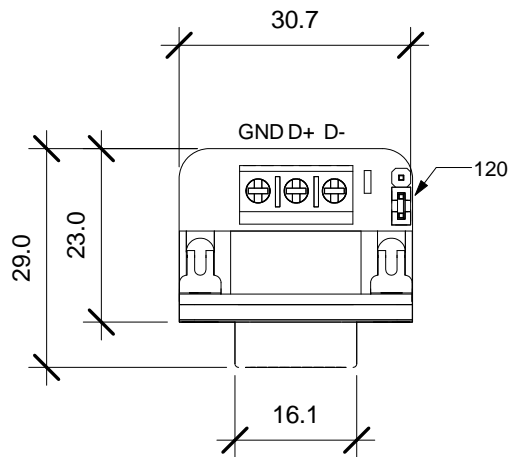
DESCRIPTION: 3-Position Terminal Block (Rugged)

SCALE: 1:1

UNIT: mm

ISSUE DATE: 11/06/2016

REV. NO.: 1.00



Serial Comm®
Data Conversion Experts

MODEL: ISO-485-PI9

DESCRIPTION: 3-Position Terminal Block (Term. Optional)

SCALE: 1:1

UNIT: mm

ISSUE DATE: 11/06/2016

REV. NO.: 1.00