

**Serial Comm**®  
Data Conversion Experts

MODEL: REP-232-3P

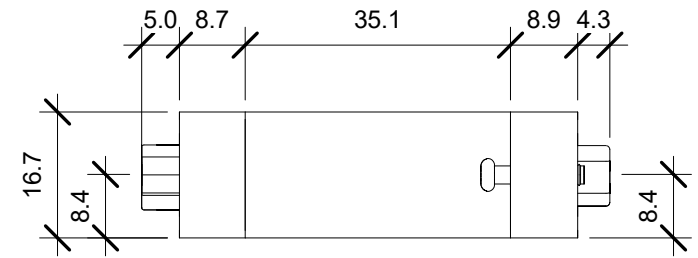
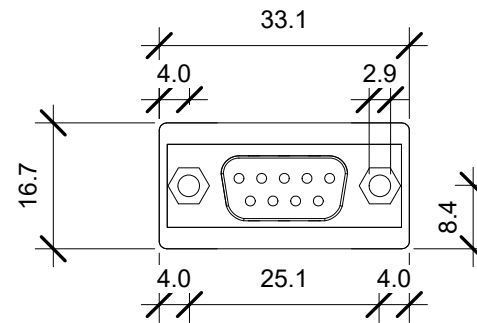
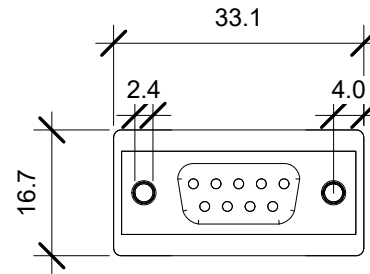
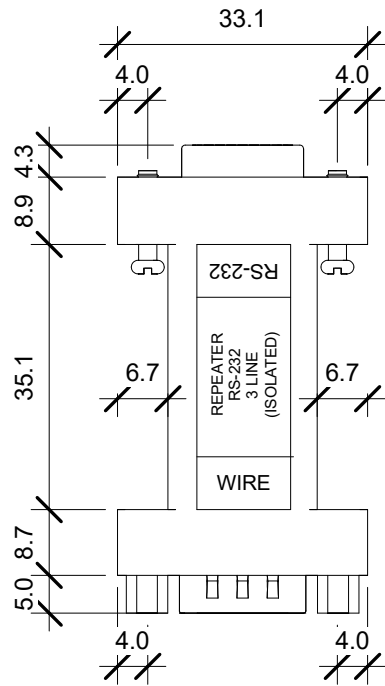
DESCRIPTION: 3-Wire RS232 Repeater (5-Position Terminal Block)

SCALE: 1:1

UNIT: mm

ISSUE DATE: 11/06/2016

REV. NO.: 1.00



**Serial Comm**®  
Data Conversion Experts

MODEL: REP-232-3P

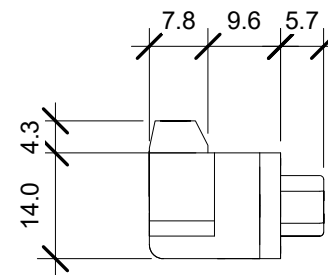
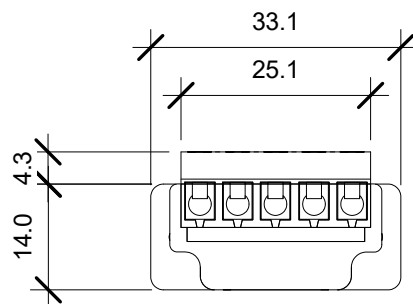
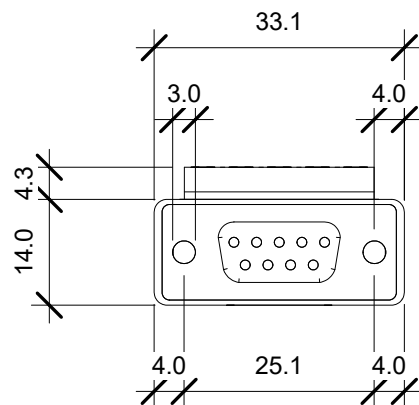
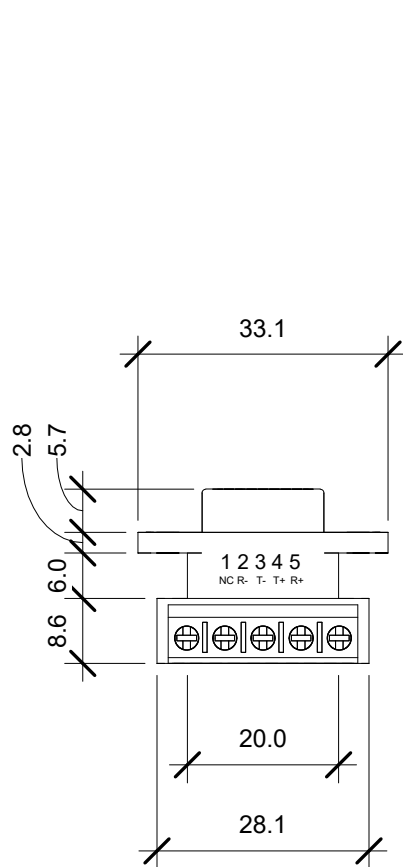
DESCRIPTION: 3-Wire RS232 Repeater (No Terminal Block)

SCALE: 1:1

UNIT: mm

ISSUE DATE: 11/06/2016

REV. NO.: 1.00



**Serial Comm**®  
Data Conversion Experts

MODEL: REP-232-3P

DESCRIPTION: 5-Position Terminal Block

SCALE: 1:1

UNIT: mm

ISSUE DATE: 11/06/2016

REV. NO.: 1.00