

Serial Comm®
Data Conversion Experts

MODEL: REP-485/422-9E

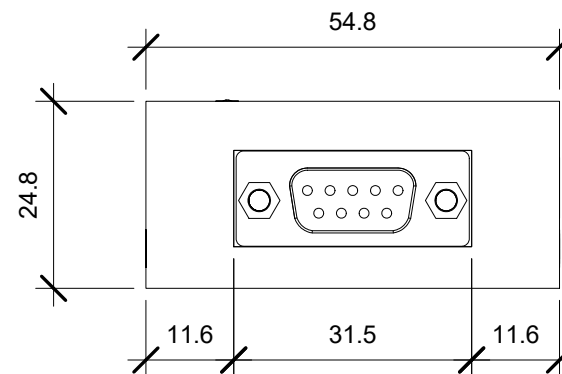
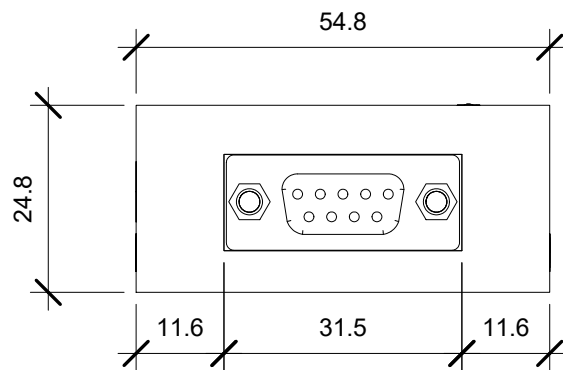
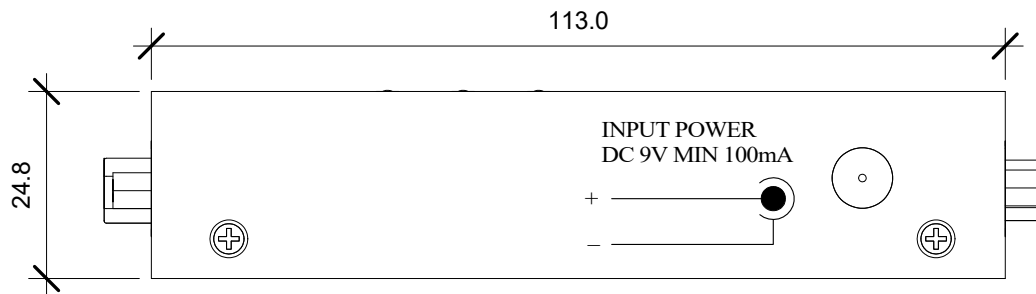
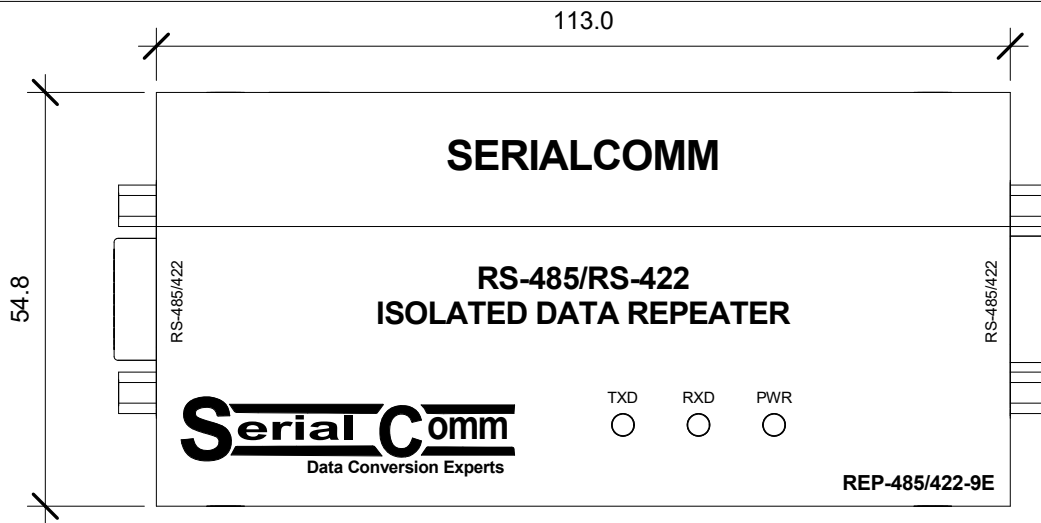
DESCRIPTION: RS485/RS422 Isolated Repeater (6-Position Terminal Blocks)

SCALE: 1:1

UNIT: mm

ISSUE DATE: 11/07/2016

REV. NO.: 1.00



Serial Comm®
Data Conversion Experts

MODEL: REP-485/422-9E

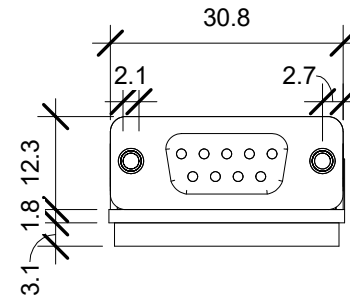
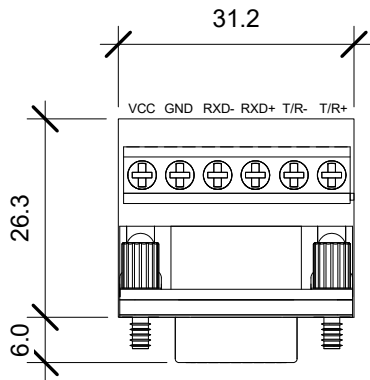
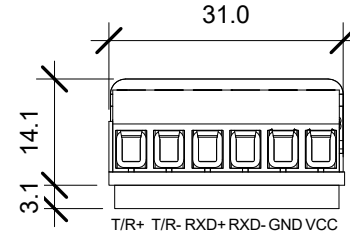
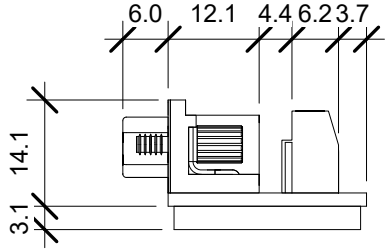
DESCRIPTION: RS485/RS422 Isolated Repeater (No Terminal Blocks)

SCALE: 1:1

UNIT: mm

ISSUE DATE: 11/07/2016

REV. NO.: 1.00



Serial Comm®
Data Conversion Experts

MODEL: REP-485/422-9E

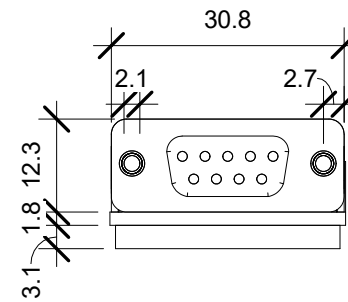
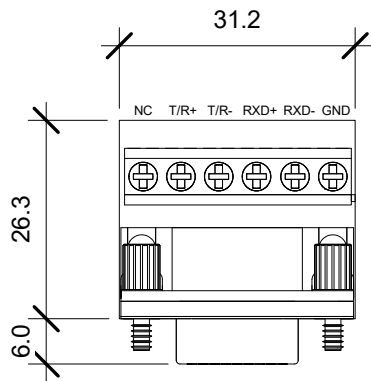
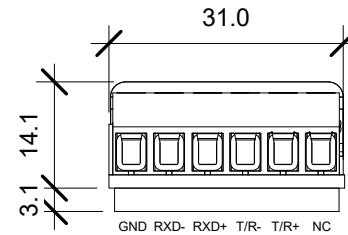
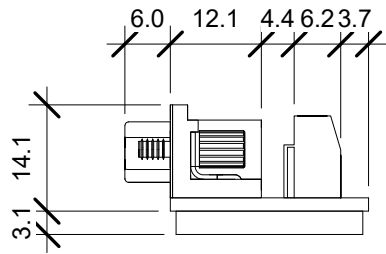
DESCRIPTION: 6-Position Terminal Block (Female)

SCALE: 1:1

UNIT: mm

ISSUE DATE: 11/07/2016

REV. NO.: 1.00



Serial Comm®
Data Conversion Experts

MODEL: REP-485/422-9E

DESCRIPTION: 6-Position Terminal Block (Male)

SCALE: 1:1

UNIT: mm

ISSUE DATE: 11/07/2016

REV. NO.: 1.00