

**Serial Comm**®  
Data Conversion Experts

MODEL: USB-TTL-5

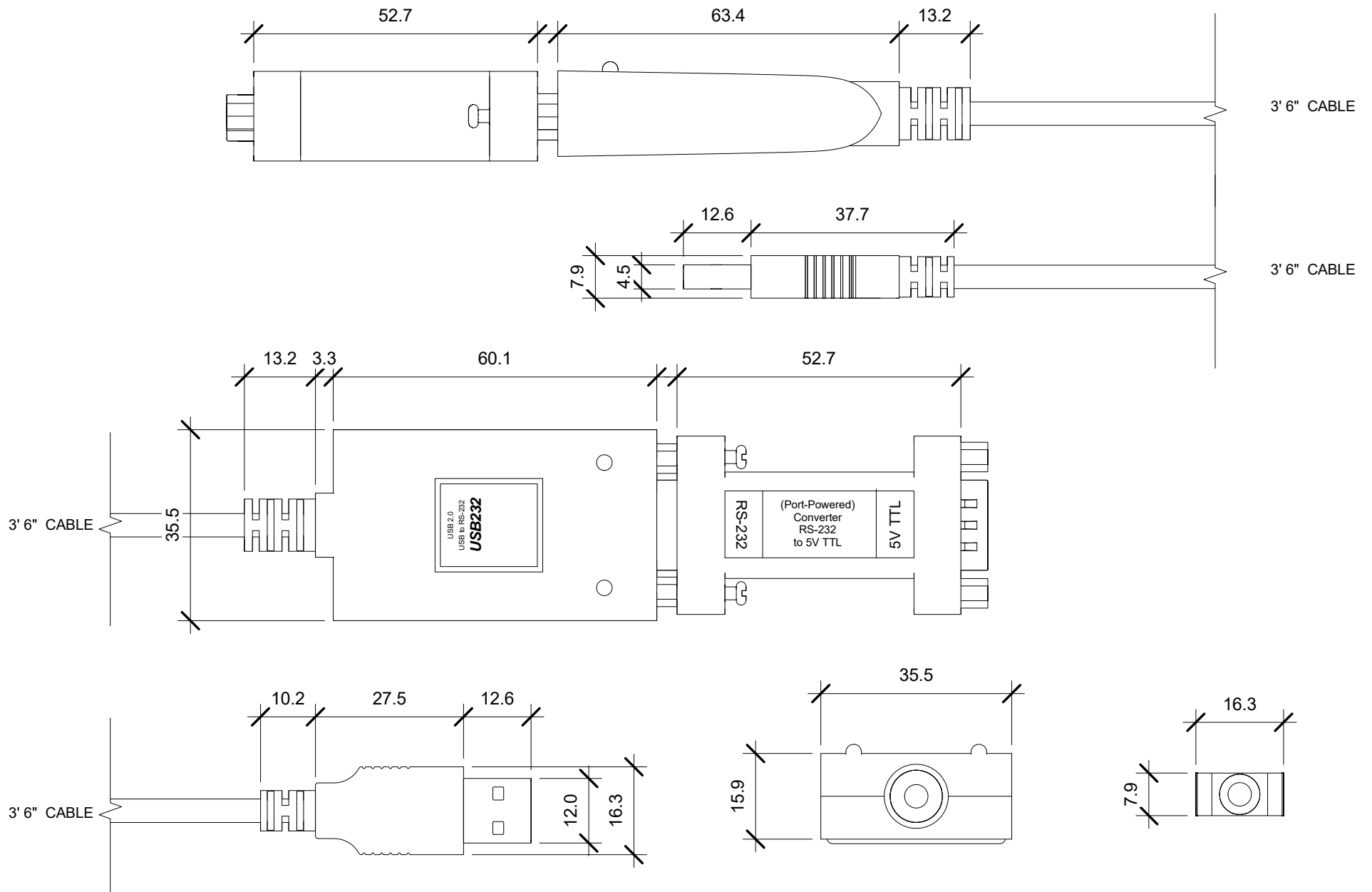
DESCRIPTION: USB to 5V TTL with Terminal Block

SCALE: 1:1

UNIT: mm

ISSUE DATE: 03/23/2017

REV. NO.: 1.00



**Serial Comm**®  
Data Conversion Experts

MODEL: USB-TTL-5

DESCRIPTION: USB to 5V TTL without Terminal Block

SCALE: 1:1

UNIT: mm

ISSUE DATE: 03/23/2017

REV. NO.: 1.00