

INE-5MP-2105

**RUGGED INDUSTRIAL
UNMANAGED SWITCH**

Unmanaged, 4*10/100Base-T(X)
PoE/PoE+ RJ45, 1*10/100Base-T(X)
RJ45, single power supply
44~55VDC, Optional DIN Rail
Mounting



Serial Comm®

Data Conversion Experts

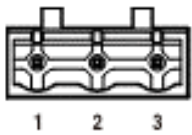
**INDUSTRIAL PROVEN
RELIABILITY**



PRODUCT OVERVIEW

The **INE-5MP-2105** is a rugged industrial grade slim unmanaged PoE/PoE+ 10/100M Ethernet switch with 4 PoE/PoE+ 10/100M RJ45 ports, one standard 10/100M RJ45 port, a 44-55VDC single power input, and an attached removeable DIN Rail mount.

POWER SUPPLY CONNECTION



The **INE-5MP-2105** utilizes a 3-pin terminal block as a power input with a voltage range of 48VDC (44-55VDC). The terminal block also supports anti-reverse connection so that if the power supply is connected backwards, the device won't get powered or become damaged.

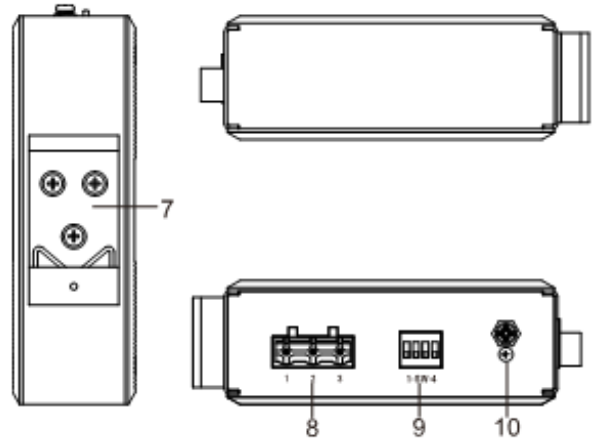
The pin definitions are as follows:

PIN	1	2	3
Definition	V+	FG	V-

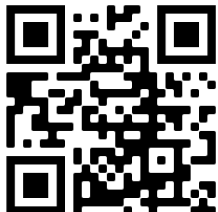
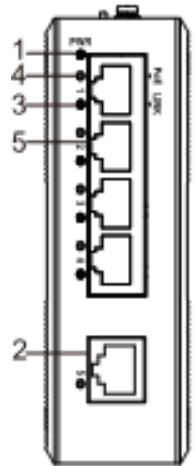
DIP SWITCH SETTINGS

No.	Definition	Operation
1	Jumbo Frame	Set the switch to the ON position to enable the jumbo frame function.
2	Flow Control	Set the switch to the ON position to enable the flow control function.
3	One-Key VLAN	Set the switch to the ON position to isolate each port from each other except for port 5.
4	NC	Reserved

PANEL DESIGN



1. Power supply indicator
2. 100M copper port
3. Interface connection indicator
4. PoE indicator
5. 100M PoE copper port
6. NA
7. DIN-Rail mounting kit
8. Terminal block for power input
9. DIP switch
10. Grounding screw



Visit Our Website

Jeddy Ventures Limited Liability Company
2400 Belmar Blvd, Unit B-15
Wall Township, NJ 07719
PHONE: 1 (877) 218-7964
FAX: 1 (732) 7490-3598
EMAIL: sales@serialcomm.com
SITE: SerialComm.com



Certified to
ISO 9001:2015



REVISION: 1.1

INE-5MP-2105

RUGGED INDUSTRIAL UNMANAGED SWITCH

Unmanaged, 4*10/100Base-T(X)
PoE/PoE+ RJ45, 1*10/100Base-T(X)
RJ45, single power supply
44~55VDC, Optional DIN Rail
Mounting



Data Conversion Experts

INDUSTRIAL PROVEN RELIABILITY



INDICATOR LEDS

No.	ON/OFF	Operation
PWR	ON	PWR is connected and running normally
PoE(1-4)	ON	PoE port is powering other devices normally.
Link/ACT (1-5)	ON Blinking	Port has established connection Network Port is receiving data.

SPECIFICATIONS

TECHNOLOGY STANDARDS

STANDARDS:
IEEE 802.3 for 10BaseT
IEEE 802.3u for 100BaseTX
IEEE 802.3x for Flow Control
IEEE 802.1Q for VLAN
IEEE 802.3af for PoE
IEEE 802.3at for PoE+

PROCESSING TYPE: Store and forward

SWITCH PROPERTIES

JUMBO FRAME: 2048 bytes

MAC ADDRESS: 2K

PACKET BUFFER: 0.5Mbits

BACKPLANE BANDWIDTH: 1G

SWITCH TIME DELAY: <10µs

INTERFACE PROPERTIES

RJ45 PORT: 5x 10/100Base-T(x), auto flow control, full/half duplex mode, auto MDI/MDI-X

LED INDICATORS: Power indicator, PoE indicator, interface indicator

DIP Switch: 1: jumbo frame | 2: flow control | 3: one-key VLAN | 4: reserved

100M Port: 10/100M self-adapting RJ45 port, half/full duplex self-adaption or forced working mode, support MDI/MDI-X self-adaption

100M PoE Port: 10/100M RJ45, automatic flow control, MDI/MDI-X autotuning, autosensing PoE port output power of 4W/15.4W/30W

PoE Pins: V+, V+, V-, V- on 1, 2, 3, 6

MECHANICAL PROPERTIES

MATERIAL: Hardened Steel

PROTECTION GRADE: Rugged - IP40

WEIGHT: 1.30 lb (0.55 kg)

MOUNTS: DIN-Rail Mounting

POWER REQUIREMENTS

OPERATION VOLTAGE: 44-55VDC, Single Power Input

CONNECTION: 1x Removable 3-Contact Terminal Block

POWER CONSUMPTION: No-load: ≤1.4W at 48VDC

Full-load: ≤100.6W at 48VDC

PROTECTION: Reverse Polarity Protected

ENVIRONMENT PROPERTIES

OPERATING TEMP.: -40°C - 75°C (-40°F - 167°F)

STORAGE TEMP.: -40°C - 85°C (40°F - 185°F)

HUMIDITY: 5% - 95%, (No Condensation)

REGULATORY APPROVALS

EMI: FCC Part 15 Subpart B Class A
CE EN 55032 Class A

FREE FALL: IEC 60068-2-32

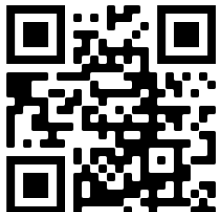
SHOCK: IEC 60068-2-27

VIBRATION: IEC 60068-2-6

GREEN: RoHS and REACHCompliant

MTBF: 429,424 Hours

WARRANTY: 5 Year Replacement



Visit Our Website

Jeddy Ventures Limited Liability Company
2400 Belmar Blvd, Unit B-15
Wall Township, NJ 07719
PHONE: 1 (877) 218-7964
FAX: 1 (732) 7490-3598
EMAIL: sales@serialcomm.com
SITE: SerialComm.com



Certified to
ISO 9001:2015



REVISION: 1.1

INE-5MP-2105

**RUGGED INDUSTRIAL
UNMANAGED SWITCH**

Unmanaged, 4*10/100Base-T(X)
PoE/PoE+ RJ45, 1*10/100Base-T(X)
RJ45, single power supply
44~55VDC, Optional DIN Rail
Mounting



Serial Comm®

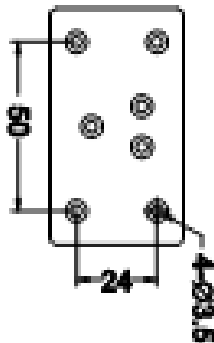
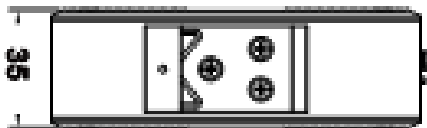
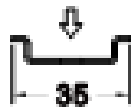
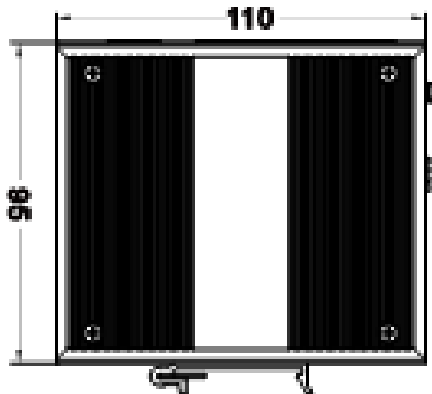
Data Conversion Experts

**INDUSTRIAL PROVEN
RELIABILITY**



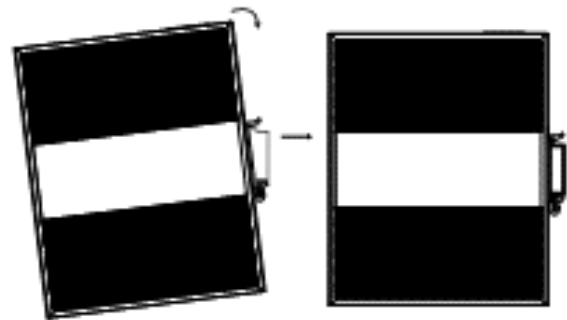
DIMENSIONS

Units: mm



DIN-RAIL MOUNTING

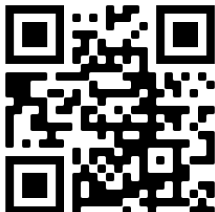
The INE-5GP-2305 includes a removable standard 35mm Din Rail mount which is compatible with most DIN Rail racks. Mounting steps are as follows:



- Step 1 Power off the Ethernet switch.
- Step 2 Check that the DIN Rail mount is firmly installed on the Ethernet switch.
- Step 3 Insert the bottom of the DIN Rail mount (the end with the spring supports) into the bottom of the DIN Rail on the rack.
- Step 4 Tilt and push the Ethernet switch forward so that the rest of the mount clips onto the rail.
- Step 5 Confirm that the Ethernet switch is securely mounted.

DIN RAIL REMOVAL

- Step 1 Power off the ethernet switch.
- Step 2 Slightly tilt the device downwards to shift out the top of the DIN Rail from the DIN Rail mount.
- Step 3 The Ethernet switch can now be removed from the rail.



Visit Our Website

Jeddy Ventures Limited Liability Company
2400 Belmar Blvd, Unit B-15
Wall Township, NJ 07719
PHONE: 1 (877) 218-7964
FAX: 1 (732) 7490-3598
EMAIL: sales@serialcomm.com
SITE: SerialComm.com



Certified to
ISO 9001:2015



REVISION: 1.1